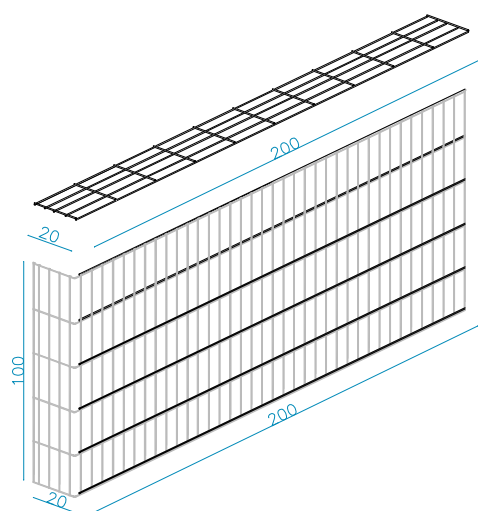


WALLCOVER SYSTEM H. 200 cm and higher


PANEL SUMMARY and description




cover, single wire 6 mm
mesh 50 x 200 mm

Long side panel, double
horizontal wire 6 mm
mesh 50 x 200 mm
length 200 cm with a 20 cm fold
height 100 cm.

 dowels

 anchoring bars cm. 100 x 4 x 3 cm.
perforated and with an L fold
anchoring holes to the wall every 30 cm.
holes for rods every 20 cm.

 rods wire diameter 6 mm
with double fold

 lock rings

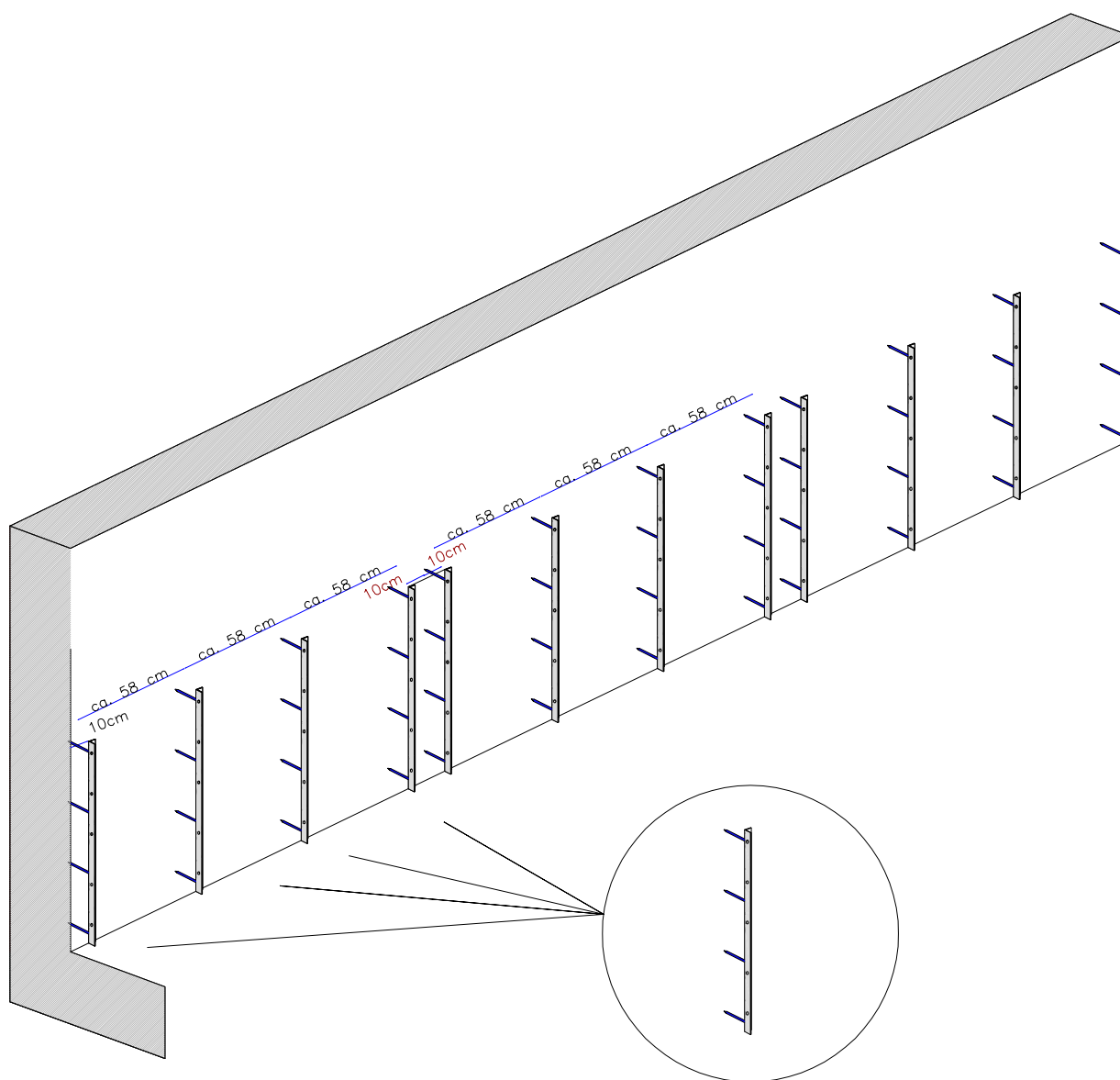
 connection hooks

WALLCOVER SYSTEM H. 200 cm and higher

ASSEMBLY INSTRUCTION

phase nr. 1

fastening of the anchoring bars to the wall



WALLCOVER SYSTEM H. 200 cm and higher



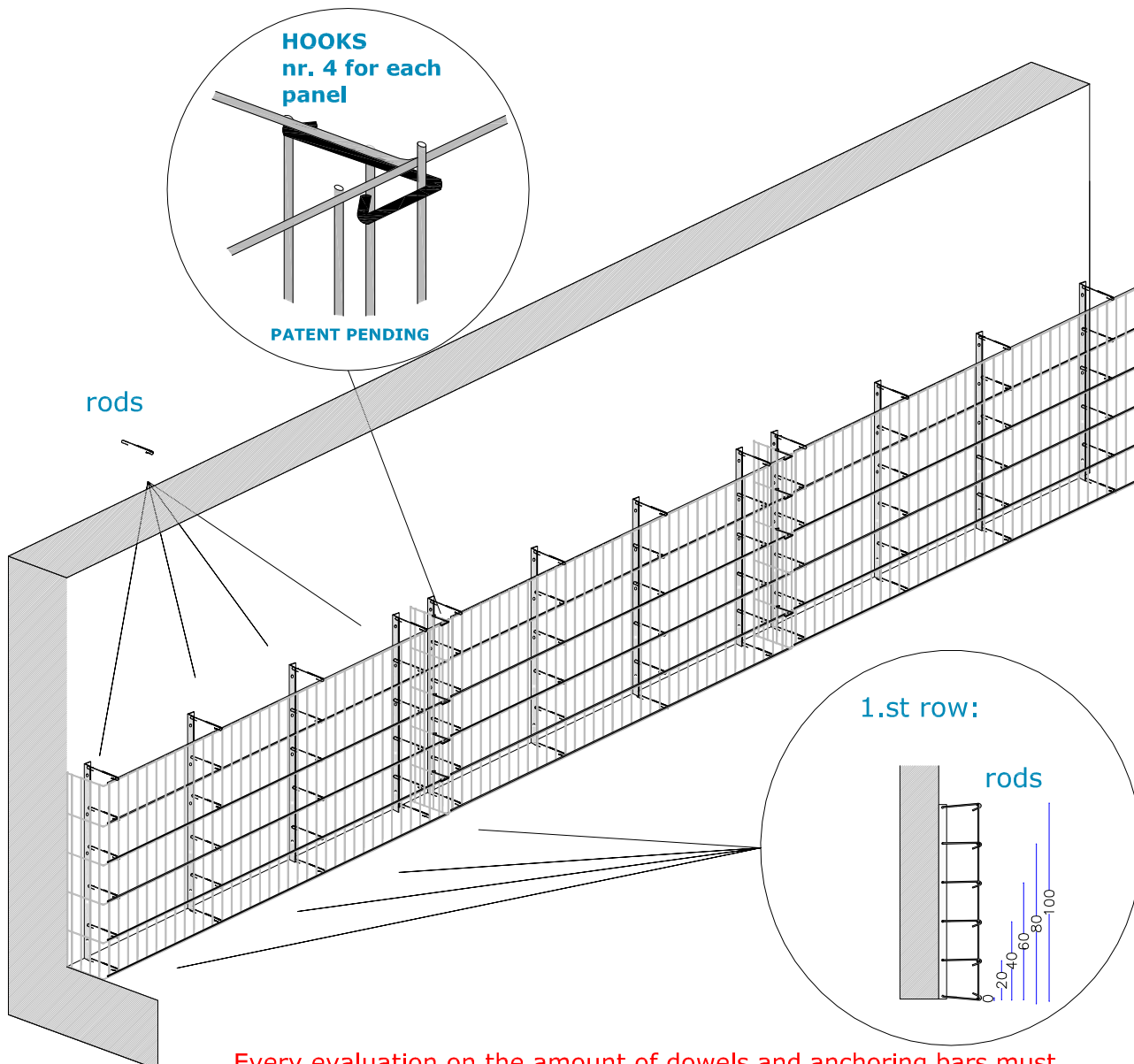
LEDRO
STEEL WALLCOVER

MECCANURGICA
LEDRENSE
SOC.COOP.

ASSEMBLY INSTRUCTION

phase nr. 2

anchoring of the long side panels with the internal rods
and the connection hooks
1.st row / h.100 cm

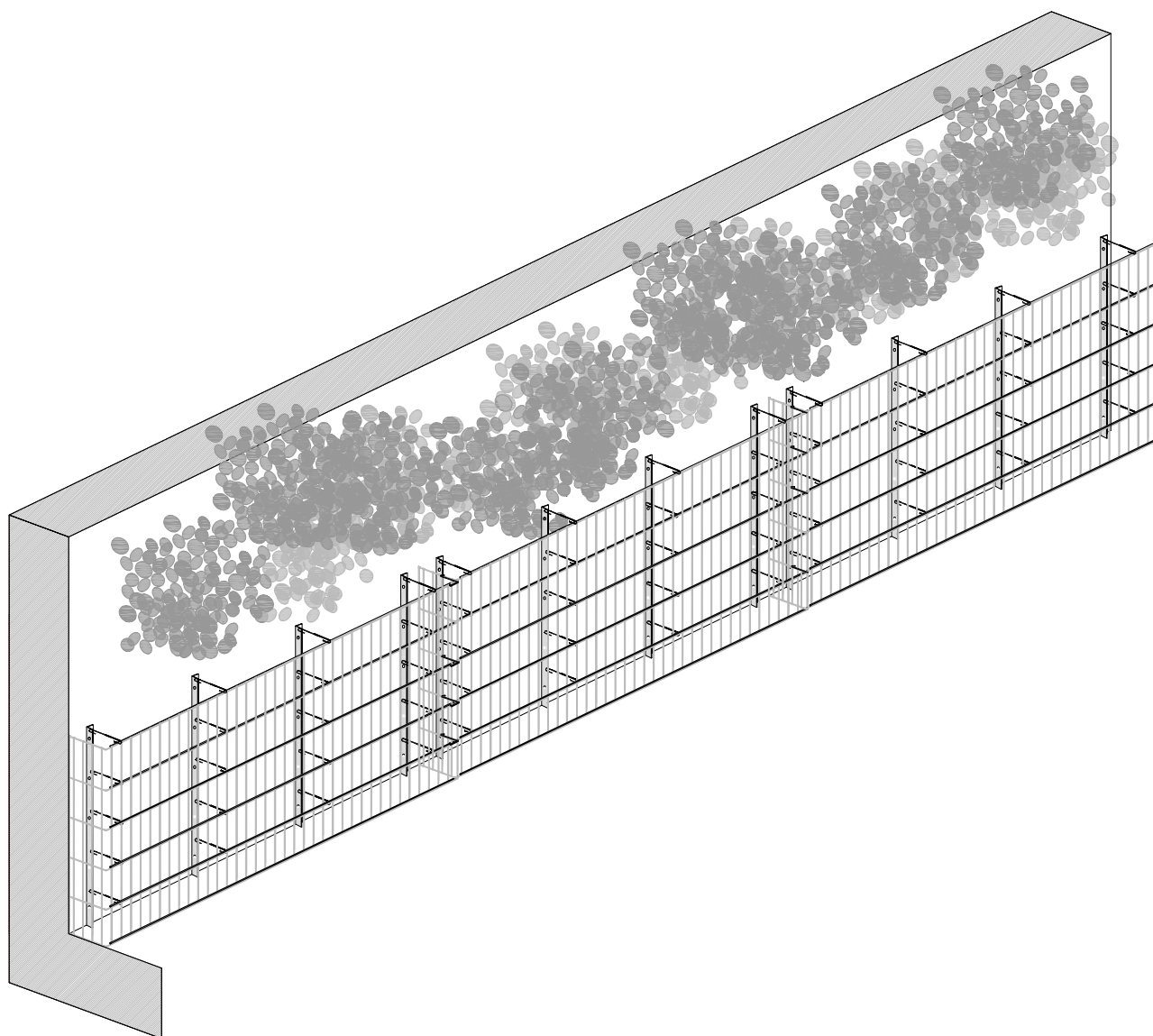


Every evaluation on the amount of dowels and anchoring bars must be verified by a qualified technician; this is necessary in consideration of the possible different applications both in height and filling materials. It is recommended to follow the manufacturer's instructions in regard of the number of internal rods and their positions

WALLCOVER SYSTEM H. 200 cm and higher

ASSEMBLY INSTRUCTION

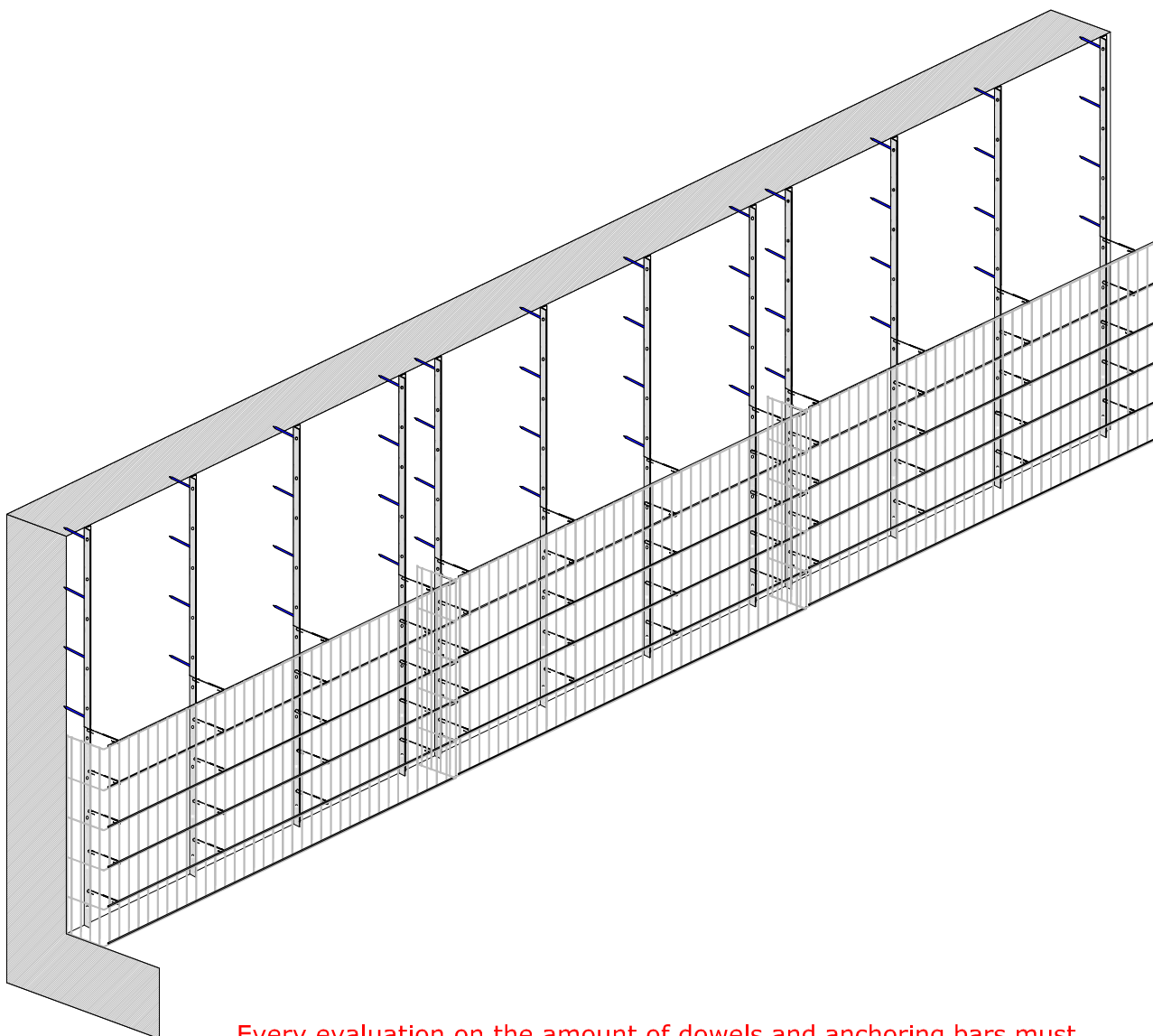
phase nr. 3
filling with stone materials



WALLCOVER SYSTEM H. 200 cm and higher

ASSEMBLY INSTRUCTION

phase nr. 4
fastening of the anchoring bars to the wall
2.nd row/ h.200 cm



Every evaluation on the amount of dowels and anchoring bars must be verified by a qualified technician; this is necessary in consideration of the possible different applications both in height and filling materials. It is recommended to follow the manufacturer's instructions in regard of the number of internal rods and their positions

rev. 02/2022



LEDRO
STEEL WALLCOVER

MECCANURGICA
LEDRENSE
SOC.COOP.

WALLCOVER SYSTEM H. 200 cm and higher



LEDRO
STEEL WALLCOVER

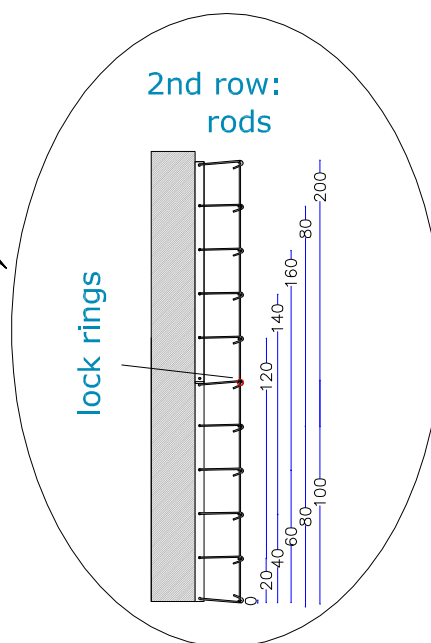
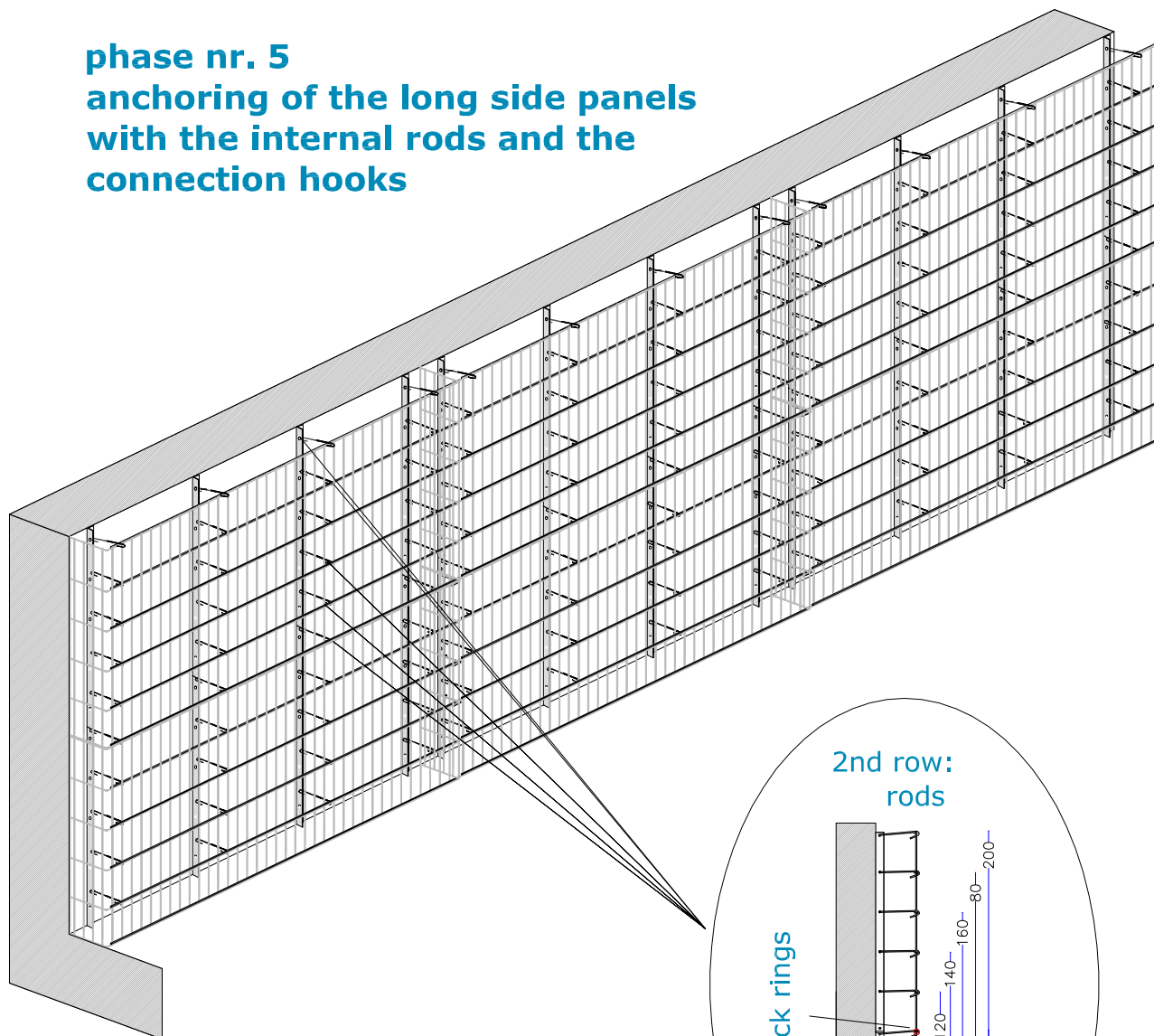
MECCANURGICA
LEDRENSE

SOC.COOP.



ASSEMBLY INSTRUCTION

phase nr. 5
anchoring of the long side panels
with the internal rods and the
connection hooks

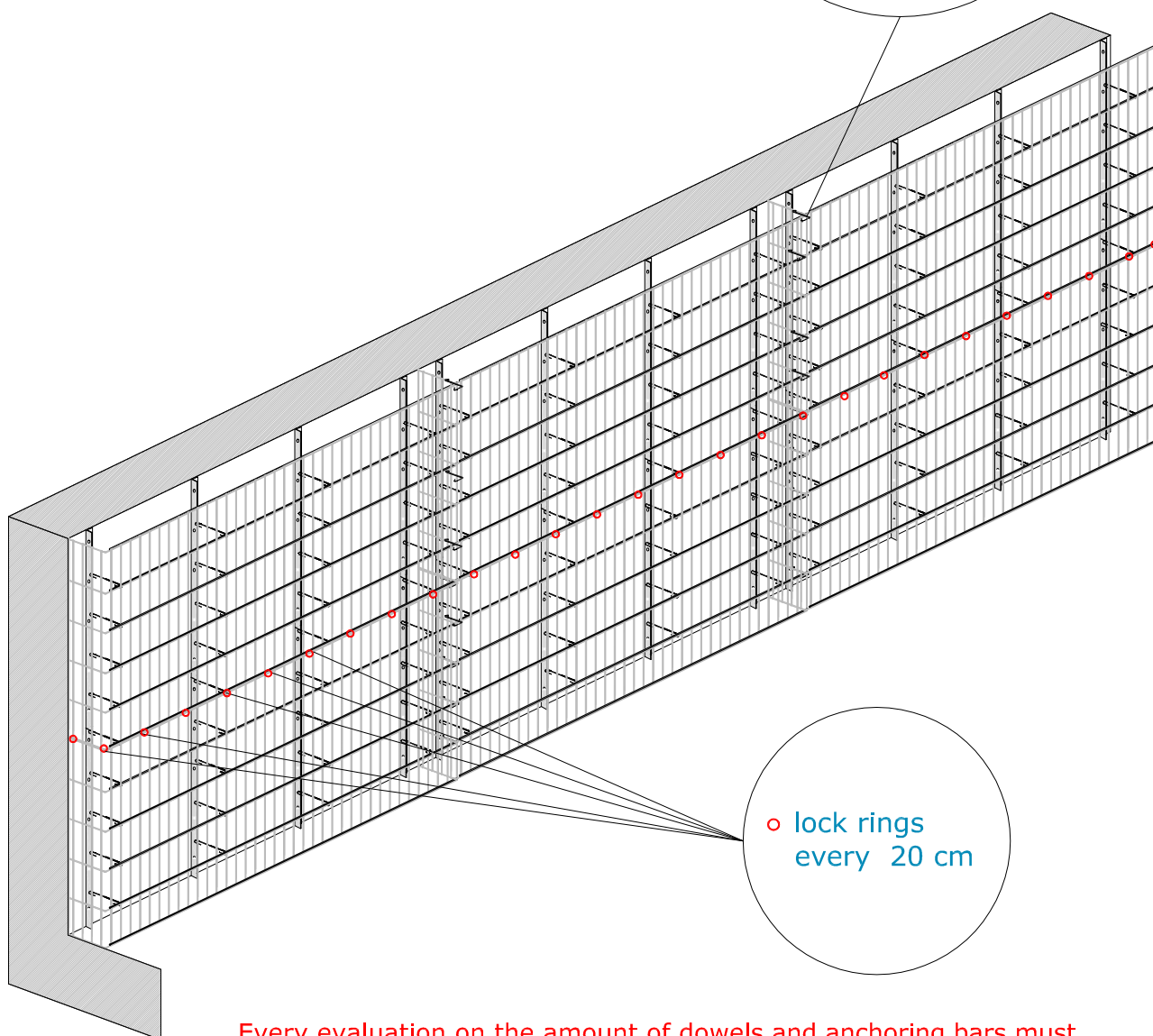
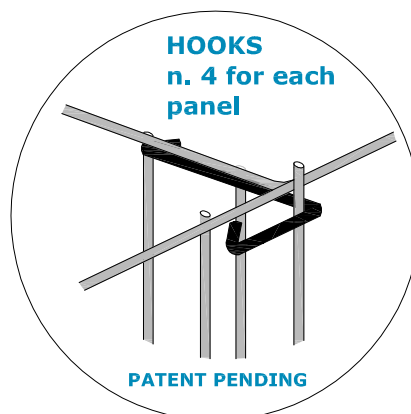


Every evaluation on the amount of dowels and anchoring bars must be verified by a qualified technician; this is necessary in consideration of the possible different applications both in height and filling materials. It is recommended to follow the manufacturer's instructions in regard of the number of internal rods and their positions

WALLCOVER SYSTEM H. 200 cm and higher

ASSEMBLY INSTRUCTION

phase nr. 6
fixing between side panels using
connection hooks vertically ✓
and lock rings horizontally ○

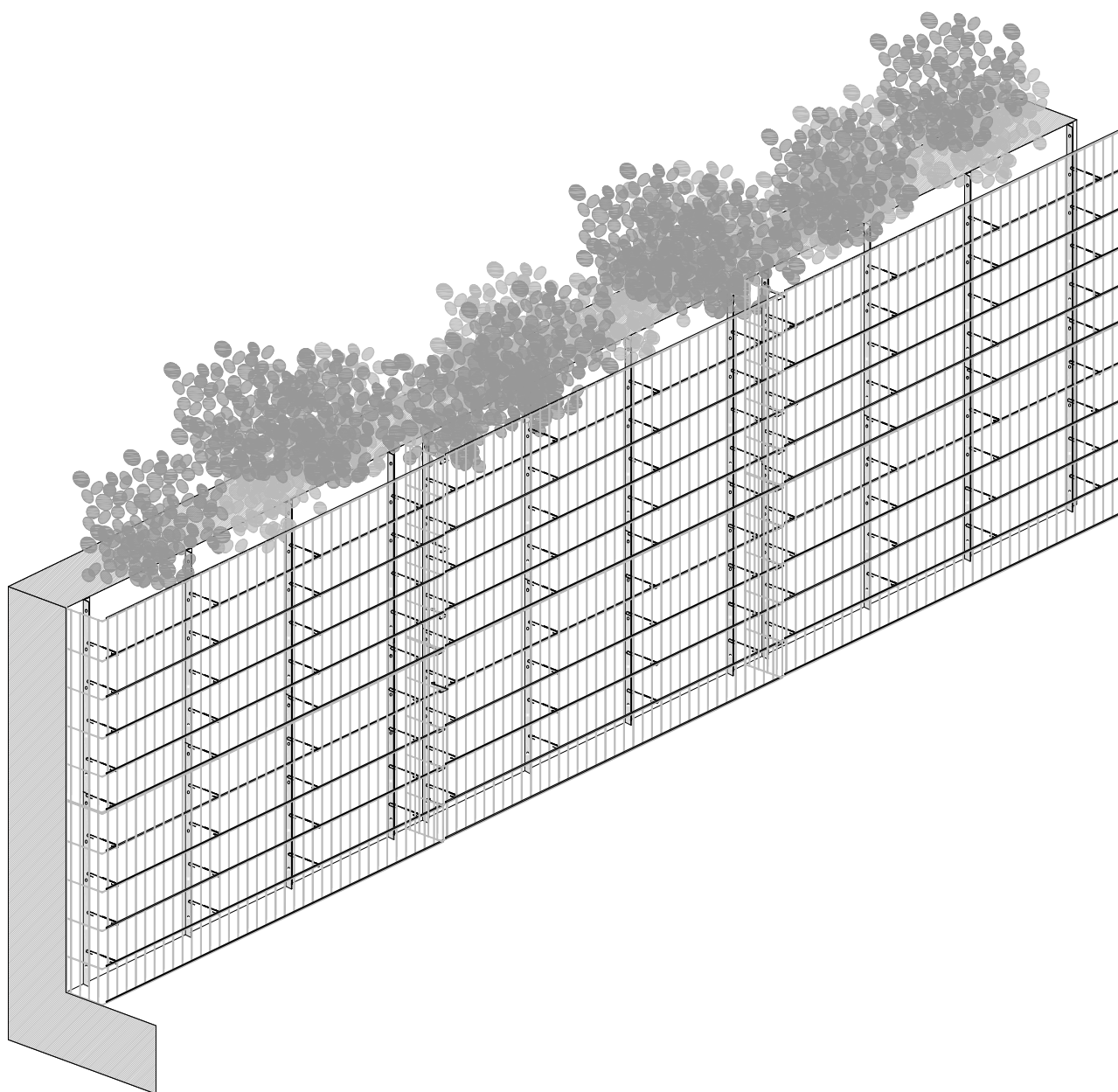


Every evaluation on the amount of dowels and anchoring bars must be verified by a qualified technician; this is necessary in consideration of the possible different applications both in height and filling materials. It is recommended to follow the manufacturer's instructions in regard of the number of internal rods and their positions

WALLCOVER SYSTEM H. 200 cm and higher

ASSEMBLY INSTRUCTION

phase nr. 7
filling with stone materials



WALLCOVER SYSTEM H. 200 cm and higher

ASSEMBLY INSTRUCTION

phase nr. 4
applying the cover panel and
secure it with the lock rings

