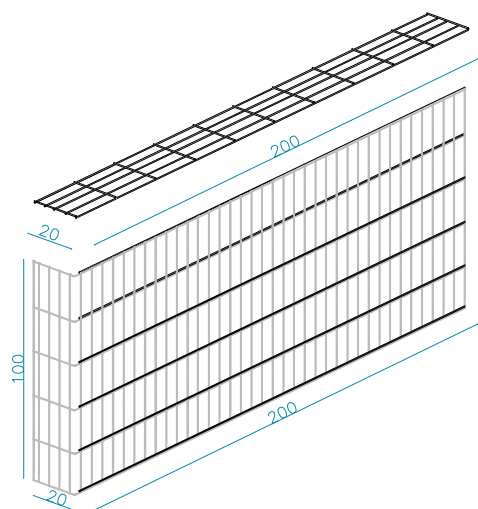


# WALLCOVER SYSTEM H. 100 cm


## PANEL SUMMARY and description



cover, single wire 6 mm  
mesh 50 x 200 mm

Long side panel, double  
horizontal wire 6 mm  
mesh 50 x 200 mm  
length 200 cm with a 20 cm fold  
height 100 cm.

 dowels

 anchoring bars cm. 100 x 4 x 3 cm.  
perforated and with an L fold  
anchoring holes to the wall every 30 cm.  
holes for rods every 20 cm.

 rods wire diameter 6 mm  
with double fold

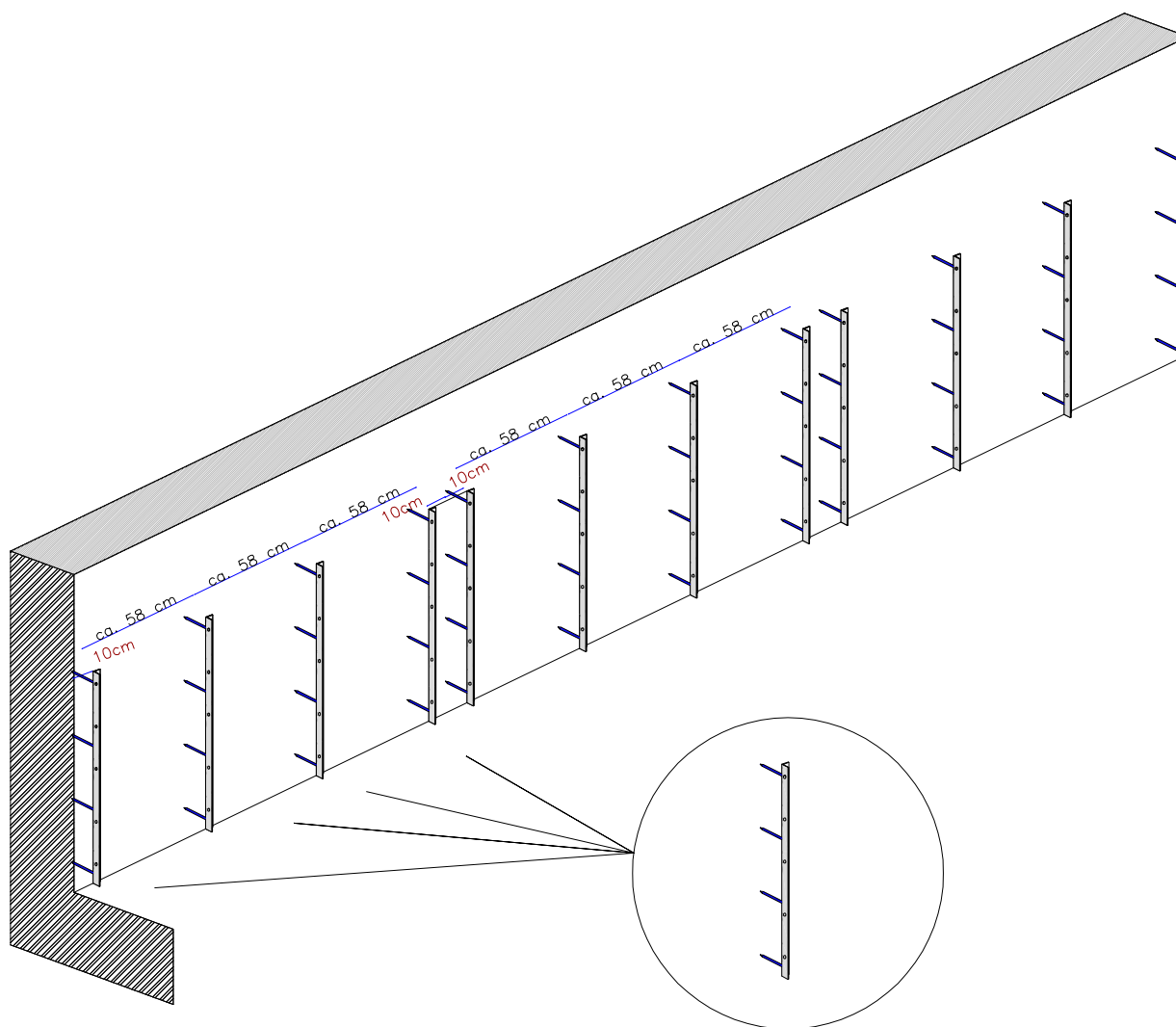
 lock rings

 connection hooks

# WALLCOVER SYSTEM H. 100 cm

## ASSEMBLY INSTRUCTION

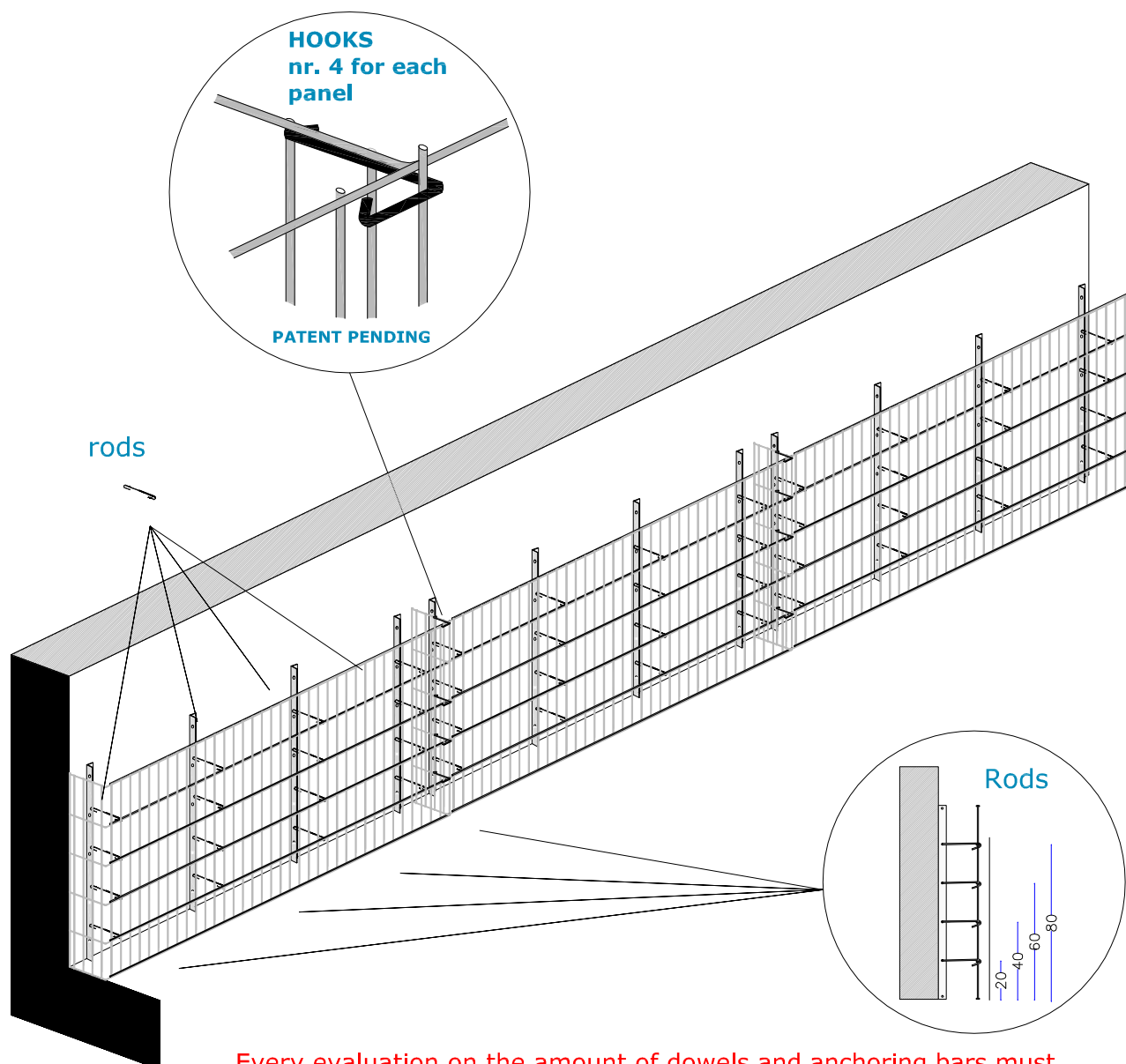
phase nr. 1  
fastening of the anchoring bars to the wall



# WALLCOVER SYSTEM H. 100 cm

## ASSEMBLY INSTRUCTION

phase nr. 2  
anchoring of the long side panels with the internal rods  
and the connection hooks



Every evaluation on the amount of dowels and anchoring bars must be verified by a qualified technician; this is necessary in consideration of the possible different applications both in height and filling materials. It is recommended to follow the manufacturer's instructions in regard of the number of internal rods and their positions

rev. 02/2022



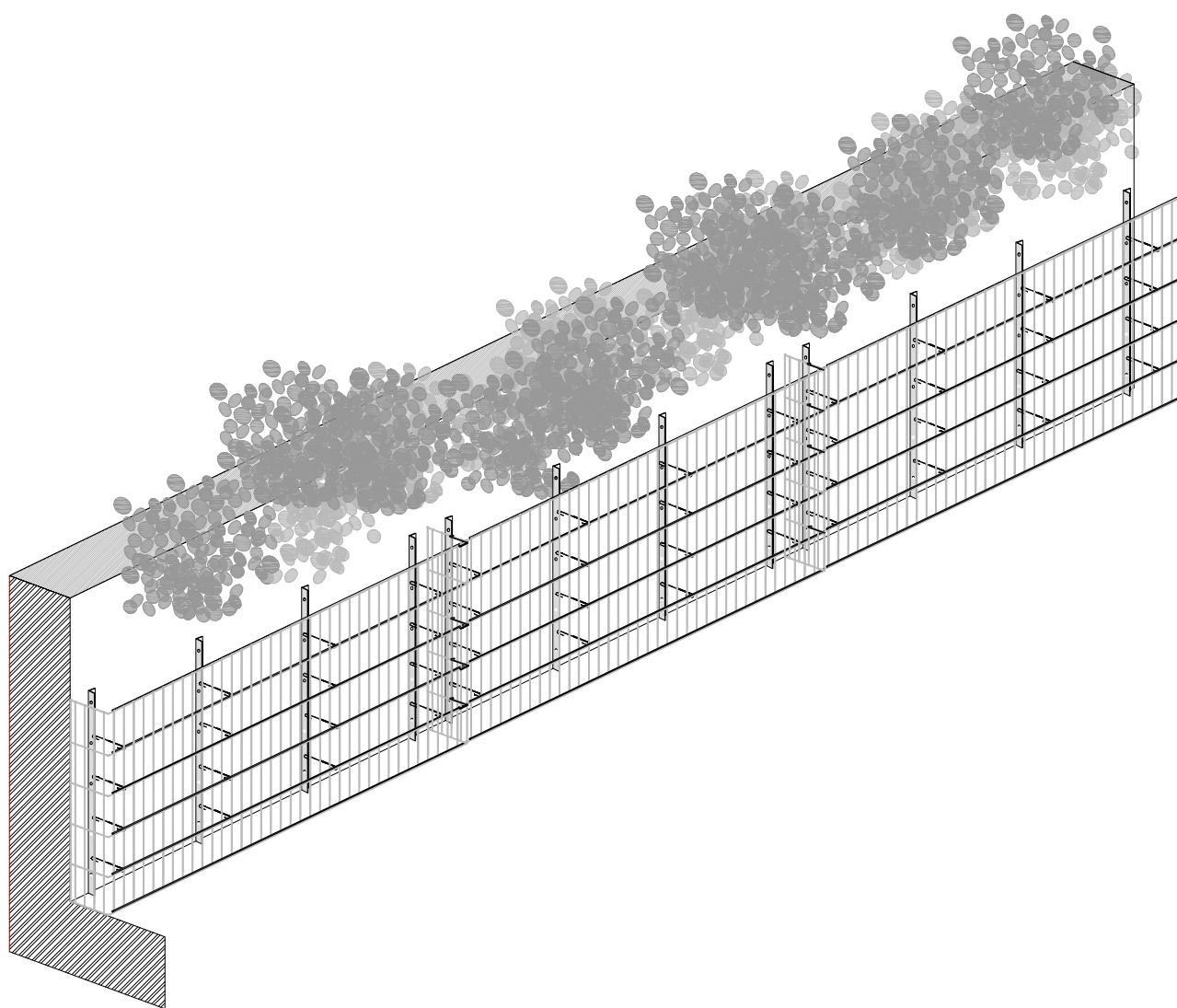
LEDRO  
STEEL WALLCOVER

MECCANURGICA  
LEDRENSE  
SOC.COOP.

# WALLCOVER SYSTEM H. 100 cm

## ASSEMBLY INSTRUCTION

phase nr. 3  
filling with stone materials



# WALLCOVER SYSTEM H. 100 cm

## ASSEMBLY INSTRUCTION

phase nr. 4  
applying the cover panel and  
secure it with the lock rings

