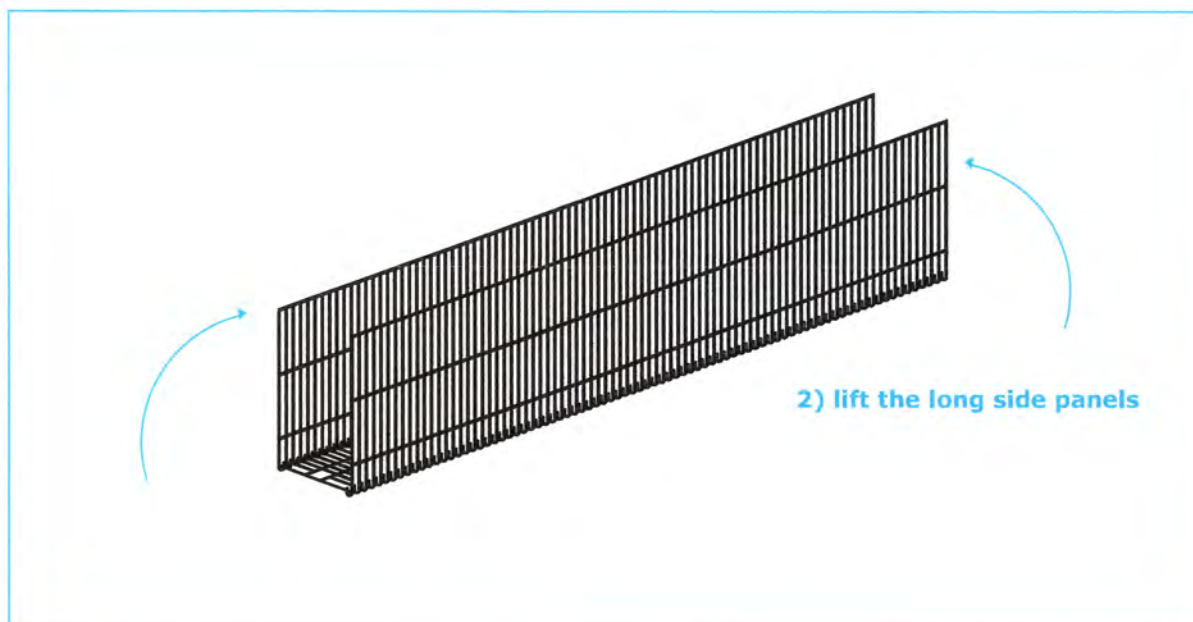
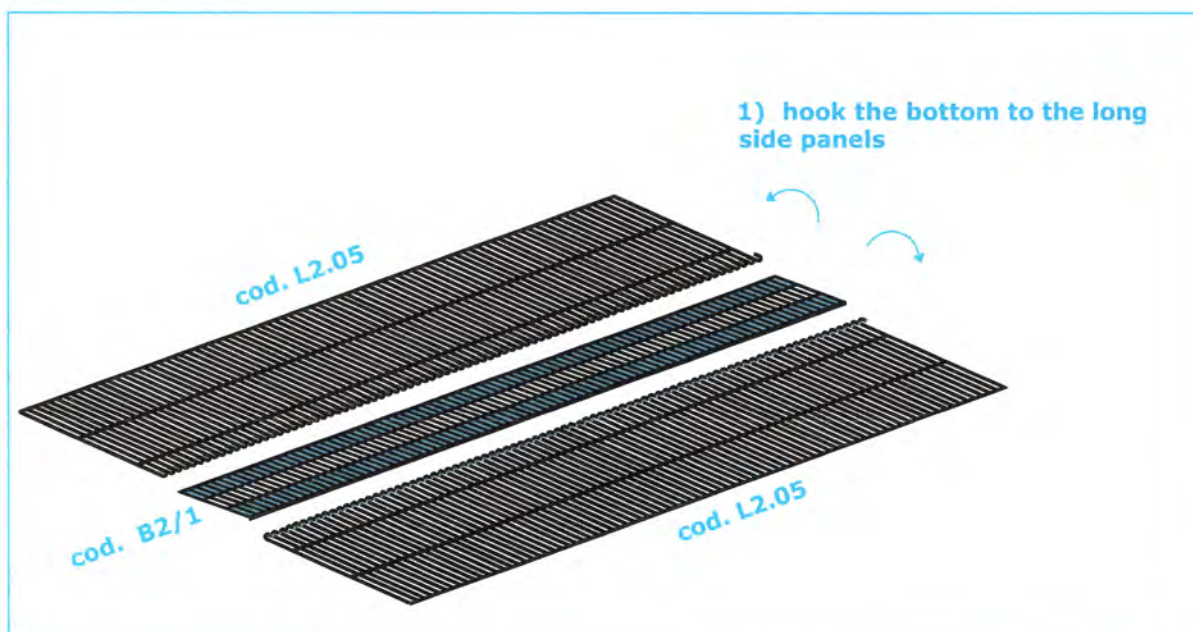


ASSEMBLY PLAN

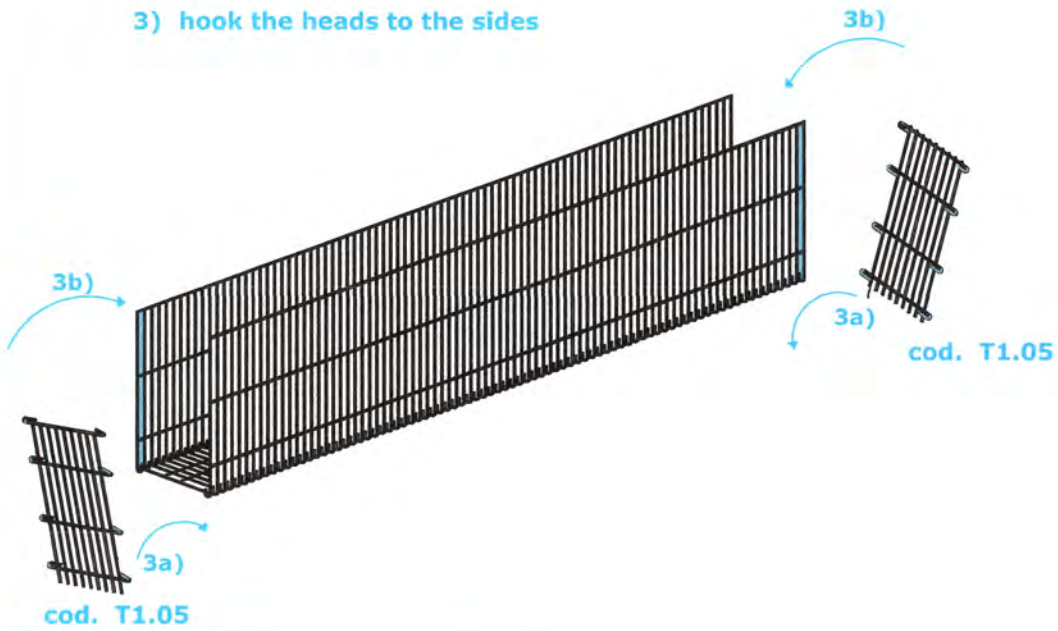
GJM 2.05

200 x 25 x 50 cm

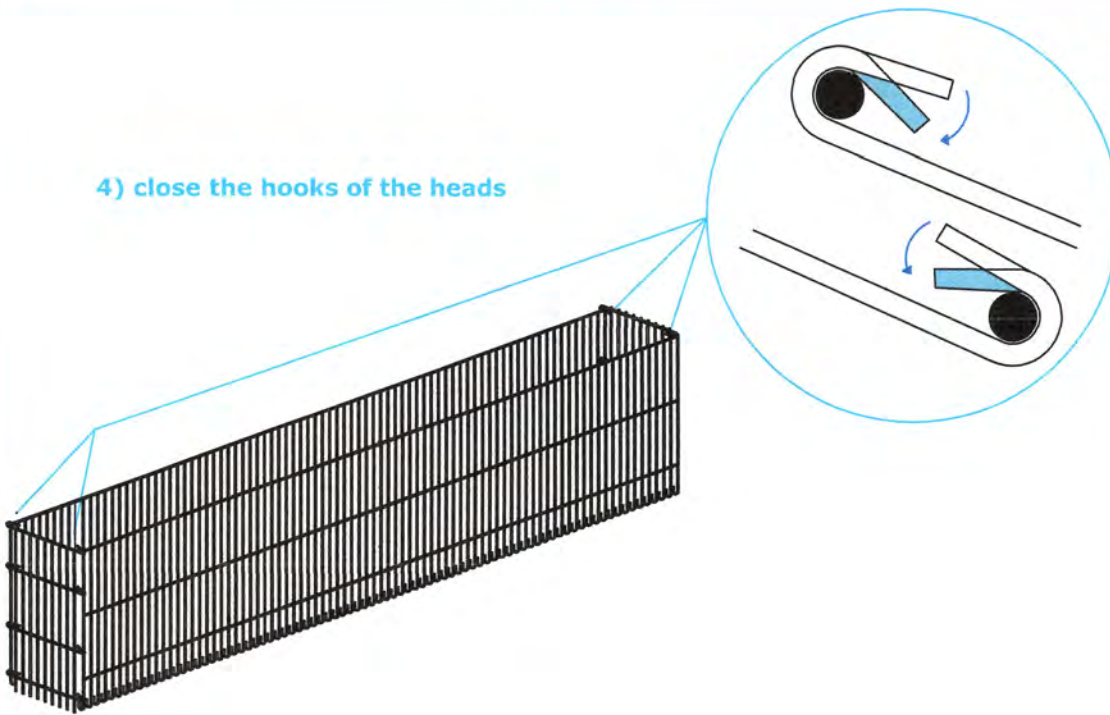
NON SURMOUNTABLE model



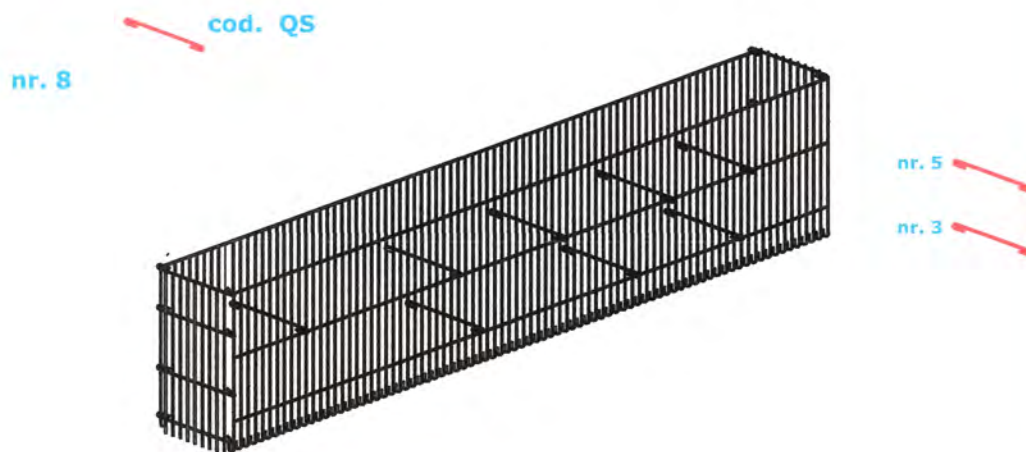
3) hook the heads to the sides



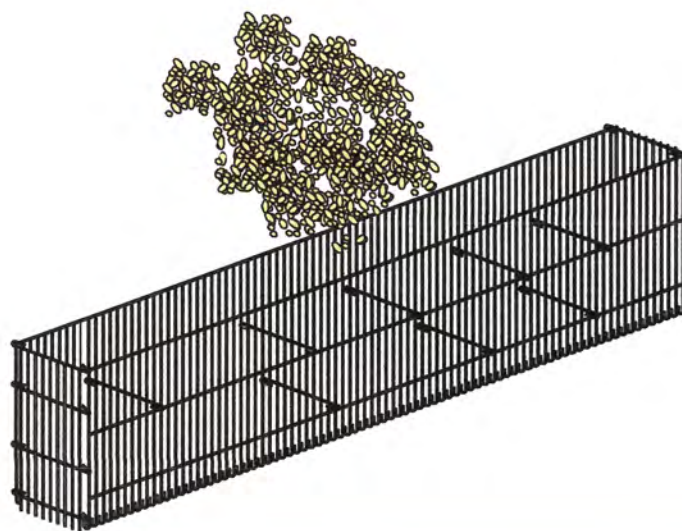
4) close the hooks of the heads



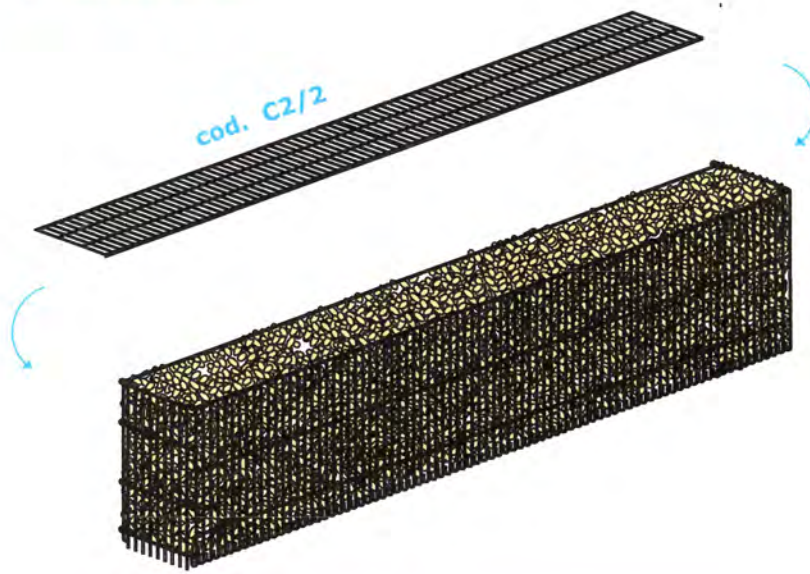
5) insert the internal rods as shown in the diagram



6) filling with splitt 30-50 mm or pebbles 25-40 mm

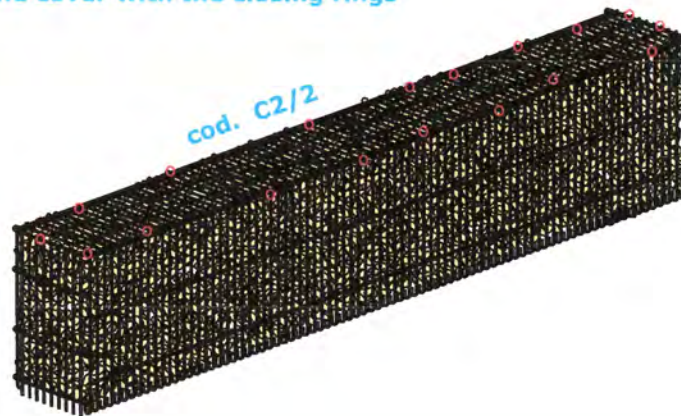


7) insert the cover



9) lyfting system GJM COMB
(supplied separately)

8) secure the cover with the closing rings
cod. AN

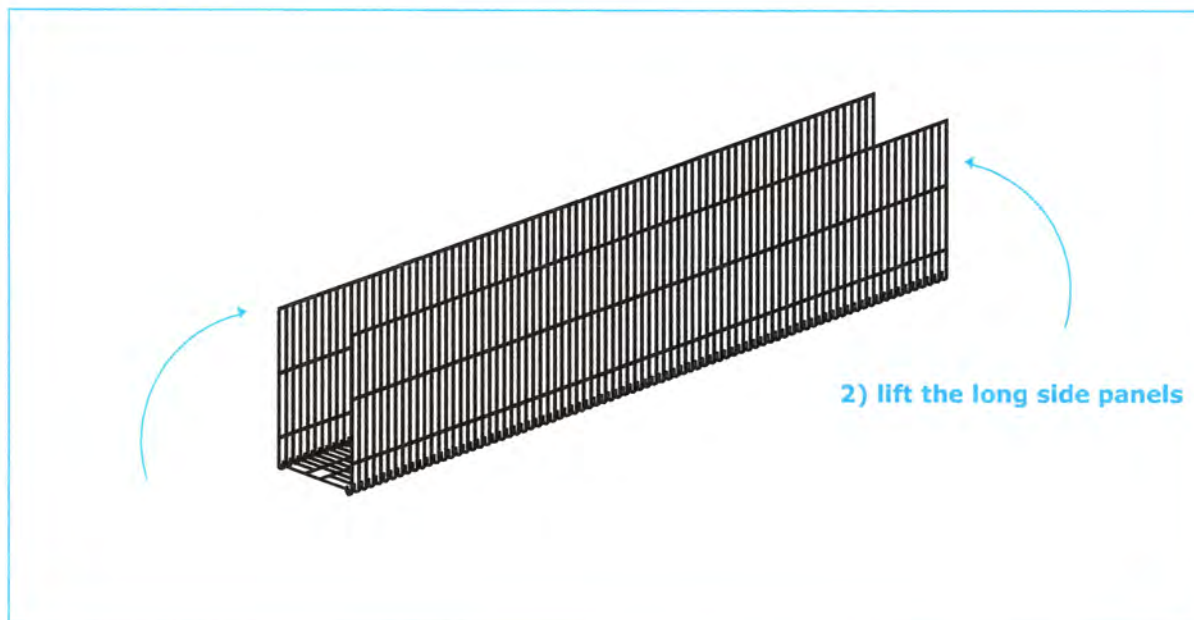
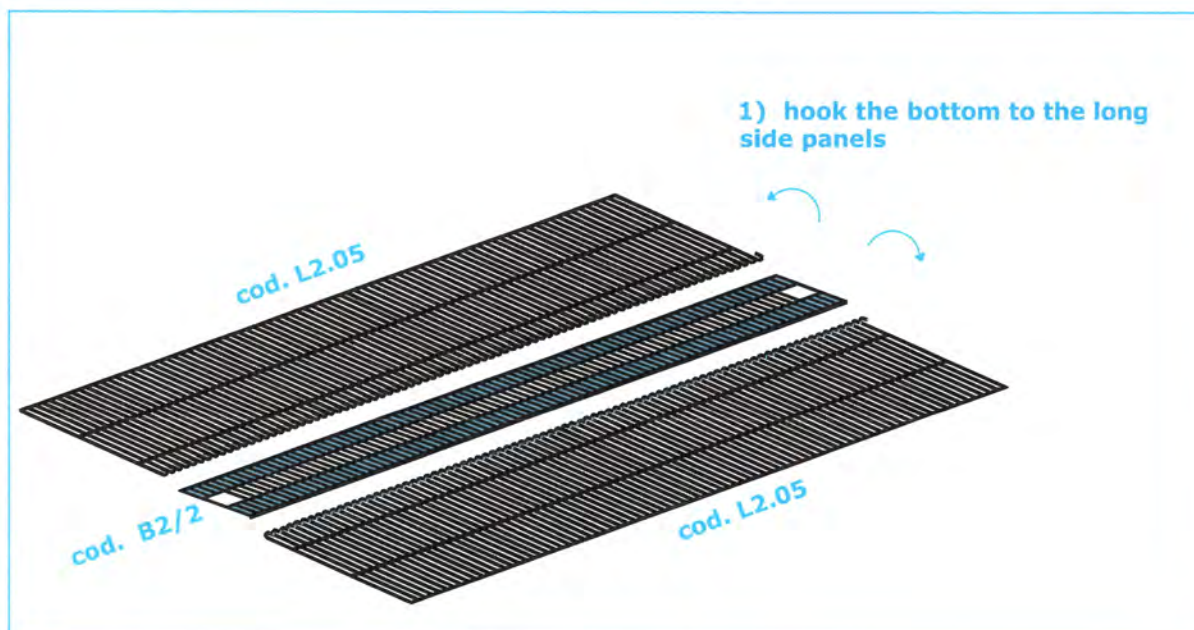


ASSEMBLY PLAN

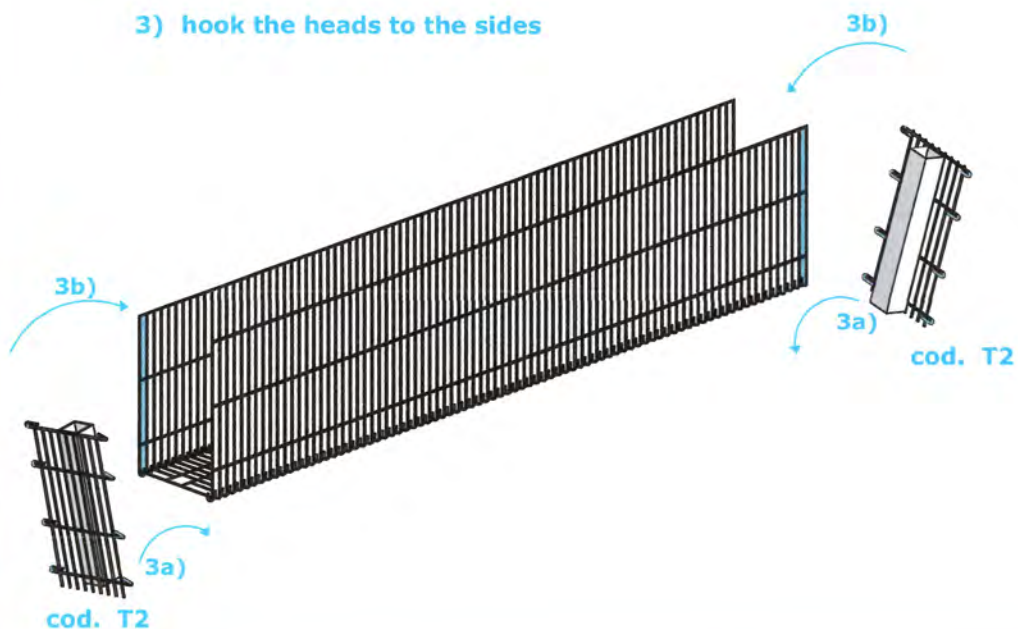
GJM 2.05.2

200 x 25 x 50 cm

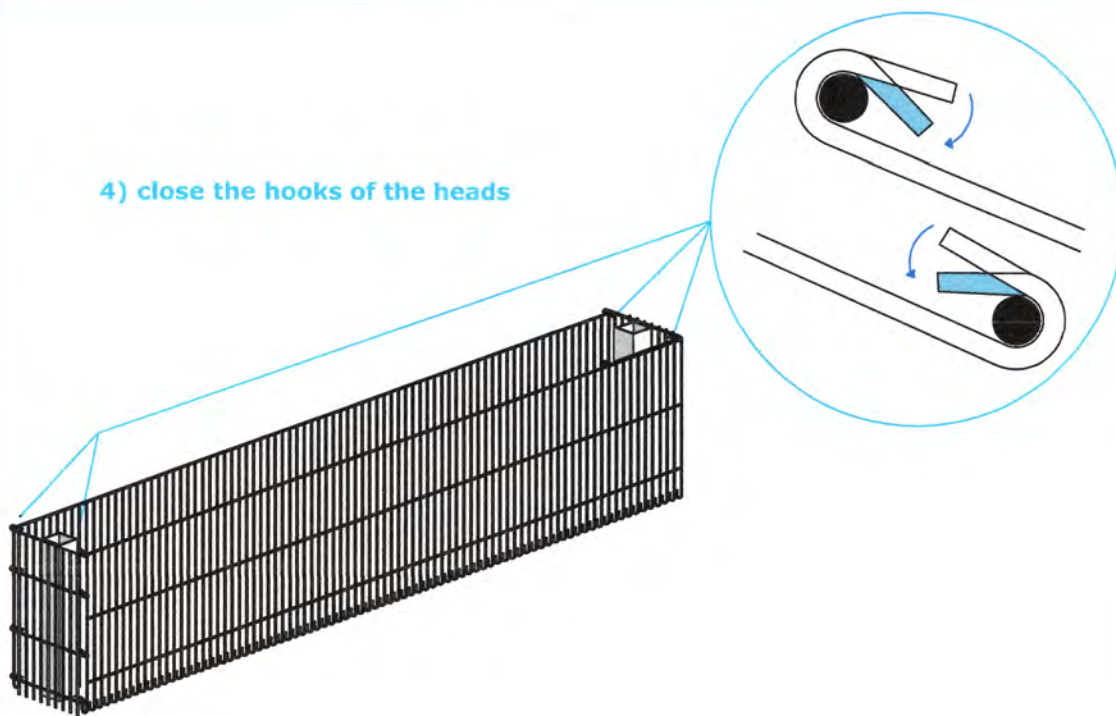
SURMOUNTABLE model



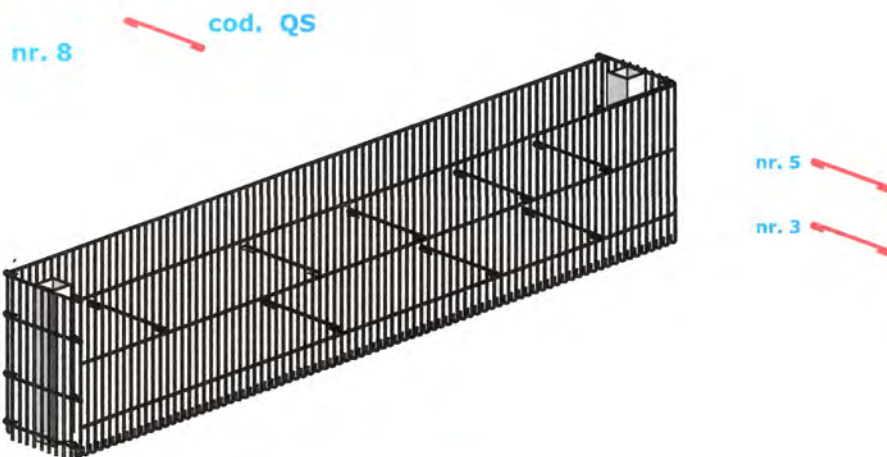
3) hook the heads to the sides



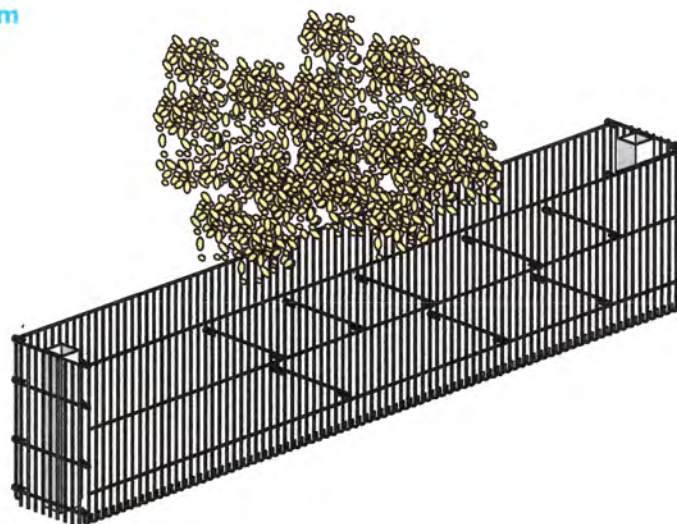
4) close the hooks of the heads



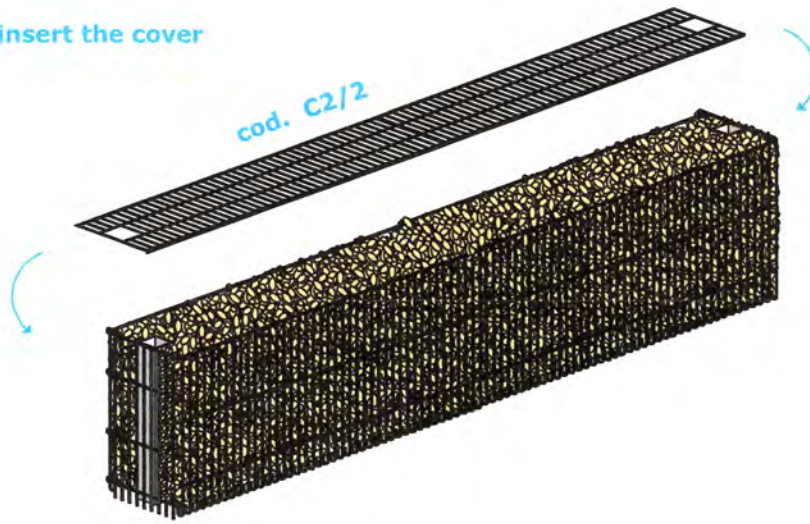
5) insert the internal rods as shown in the diagram



6) filling with splitt 30-50 mm
or pebbles 25-40 mm



7) insert the cover

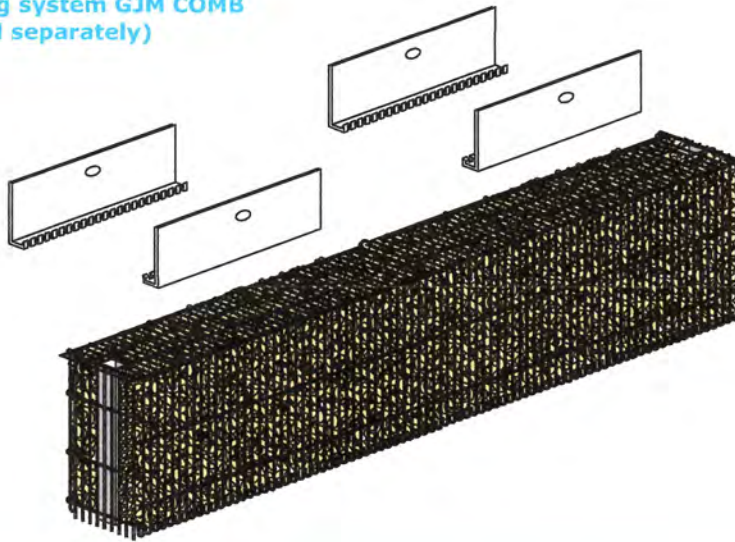


9) lyfting system GJM COMB
(supplied separately)

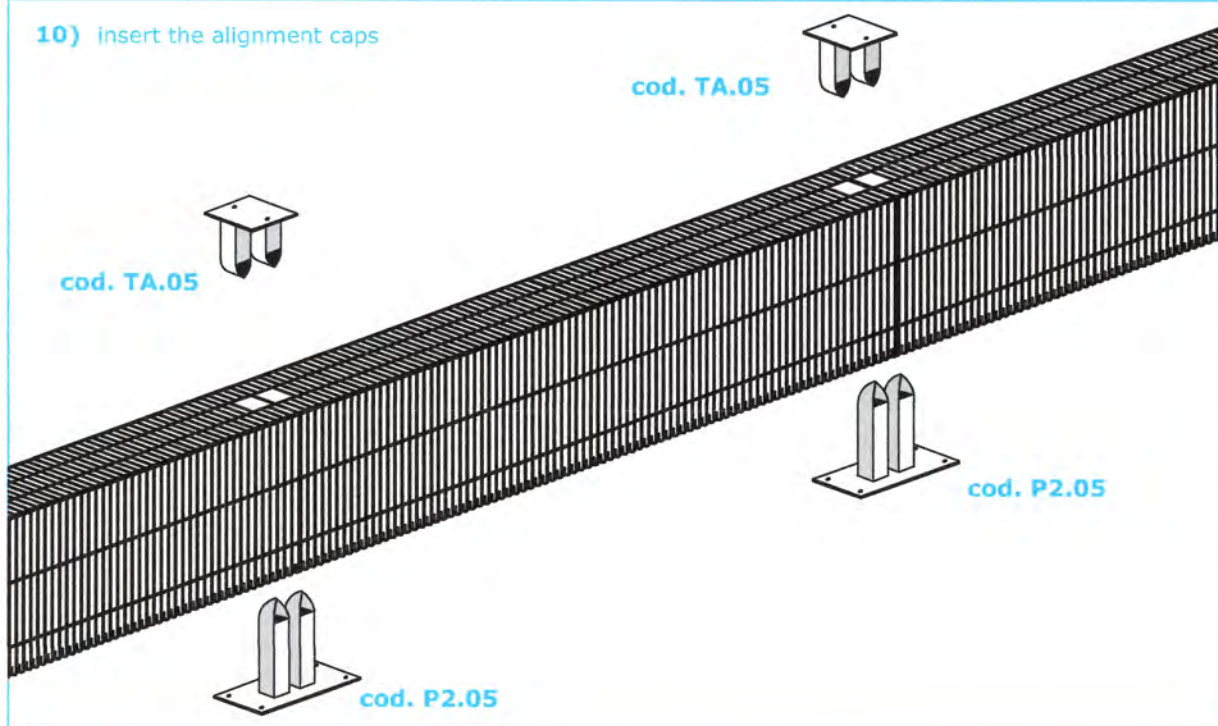
8) secure the cover with the closing rings
cod. AN



9) lyfting system GJM COMB
(supplied separately)



10) Insert the alignment caps

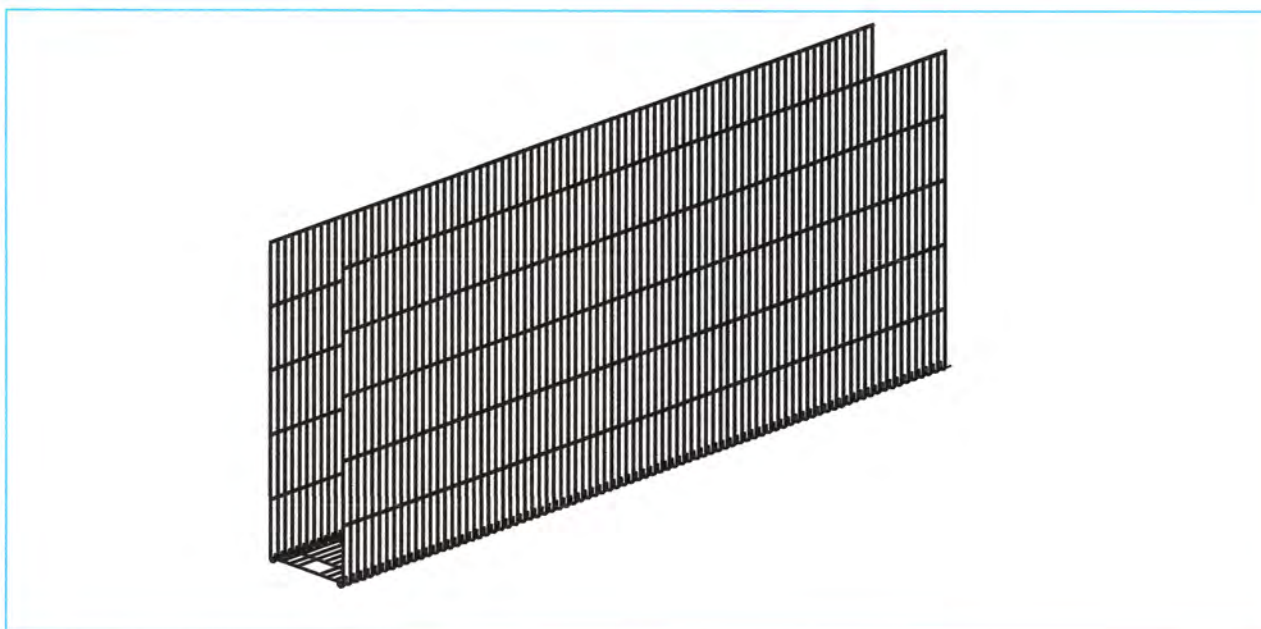
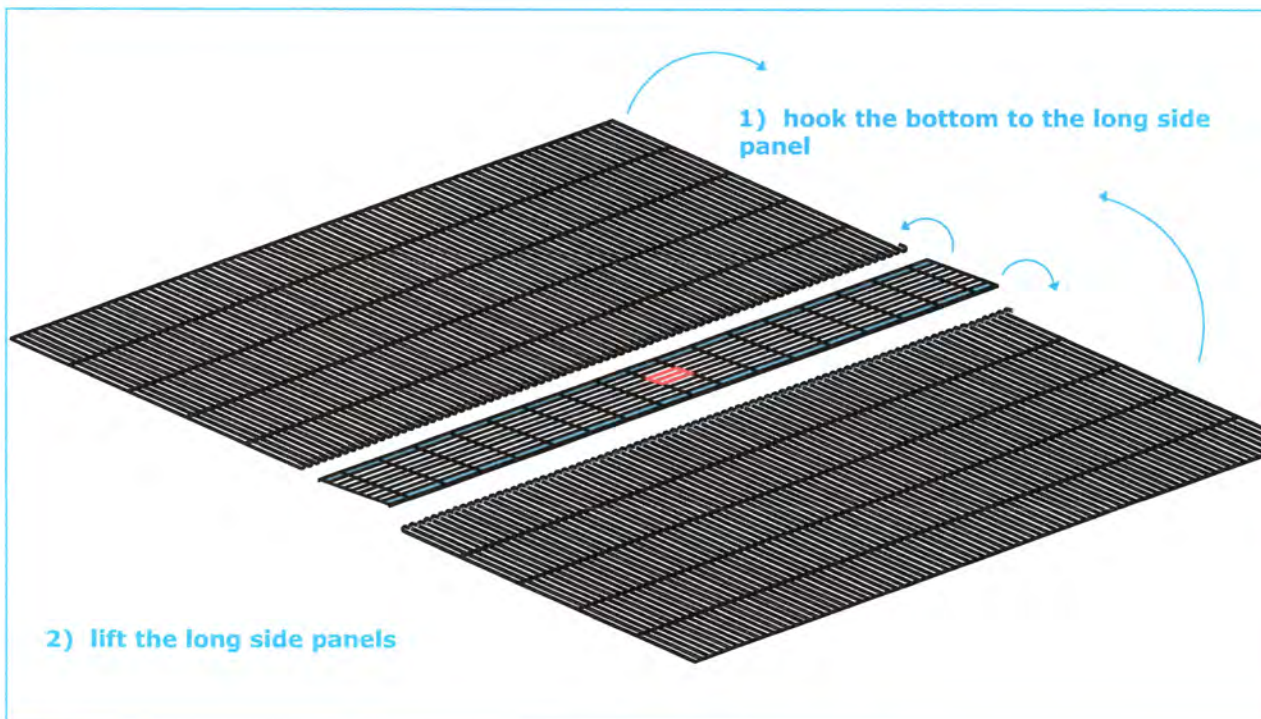


ASSEMBLY PLAN

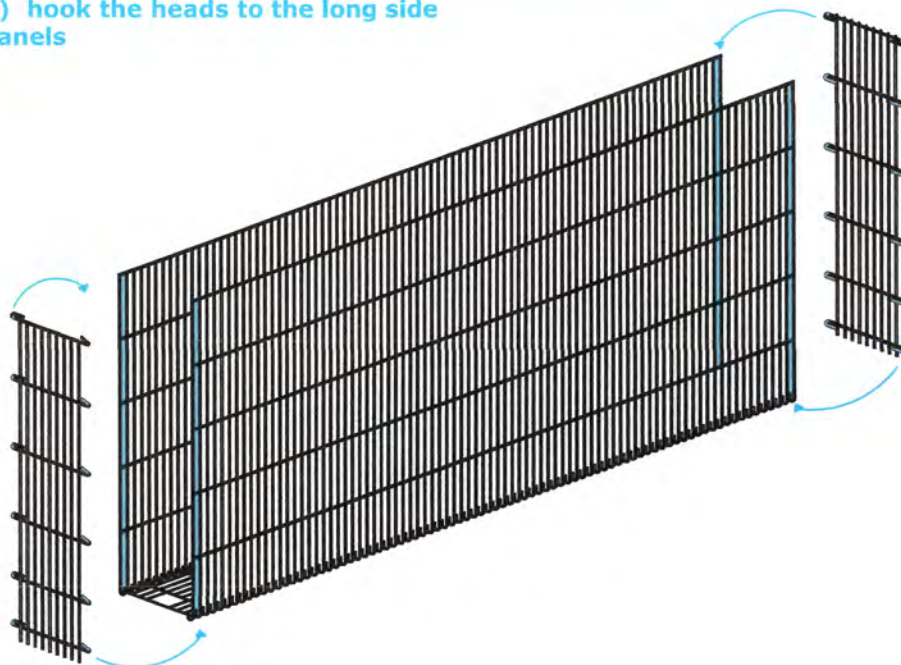
GJM 2.1

200 x 25 x 100 cm

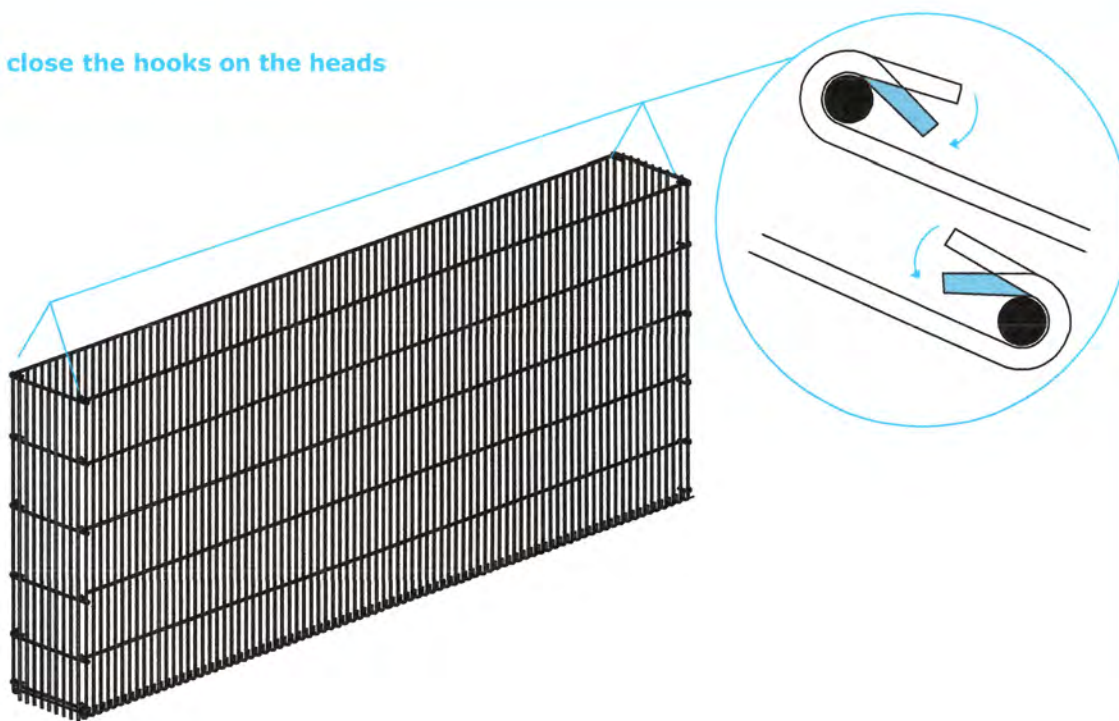
NON SURMOUNTABLE model



3) hook the heads to the long side panels

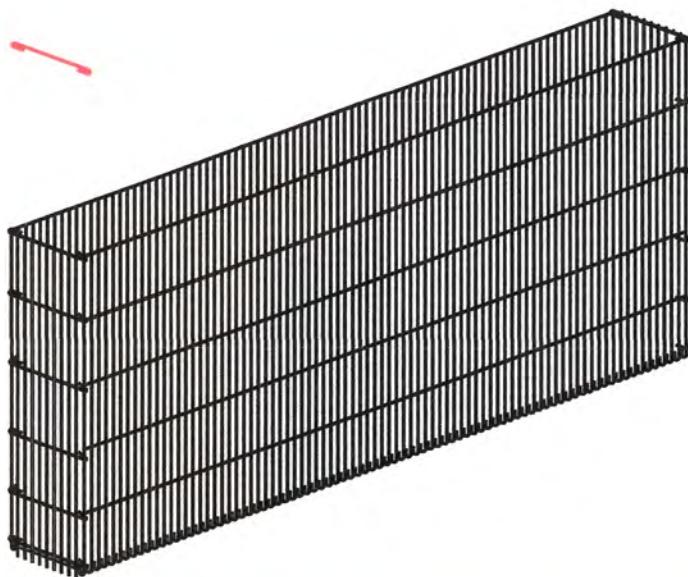


4) close the hooks on the heads



5) inserir the internal rods as shown in the diagram

nr. 20



nr. 4

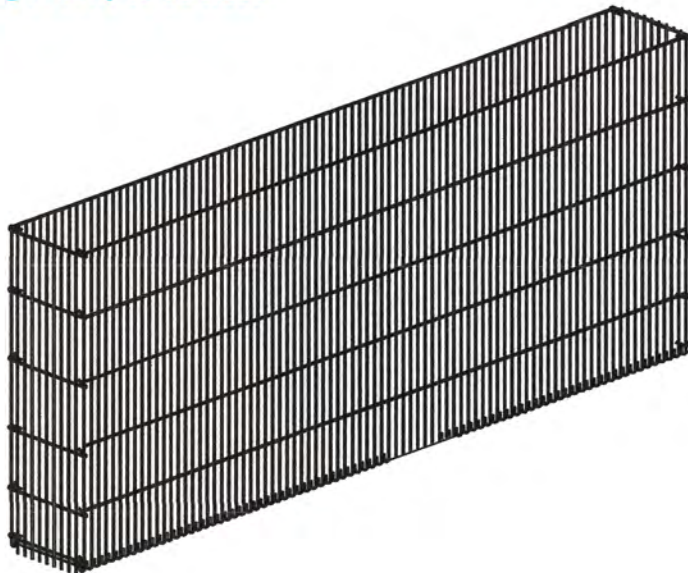
nr. 6

nr. 6

nr. 4

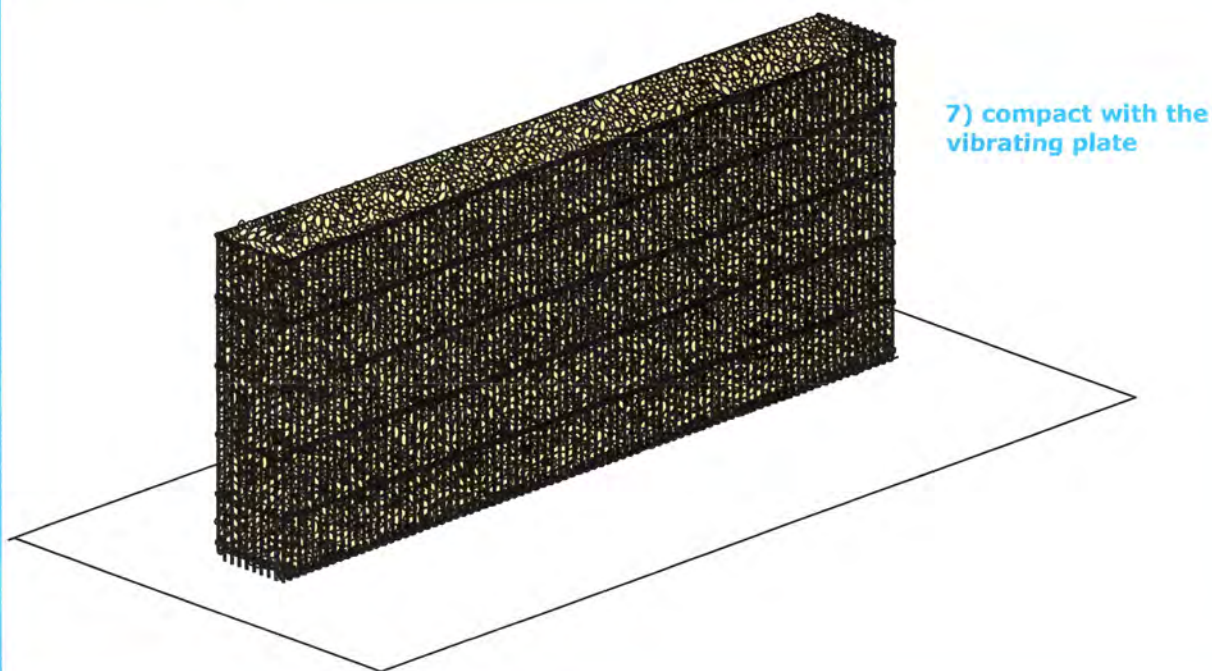
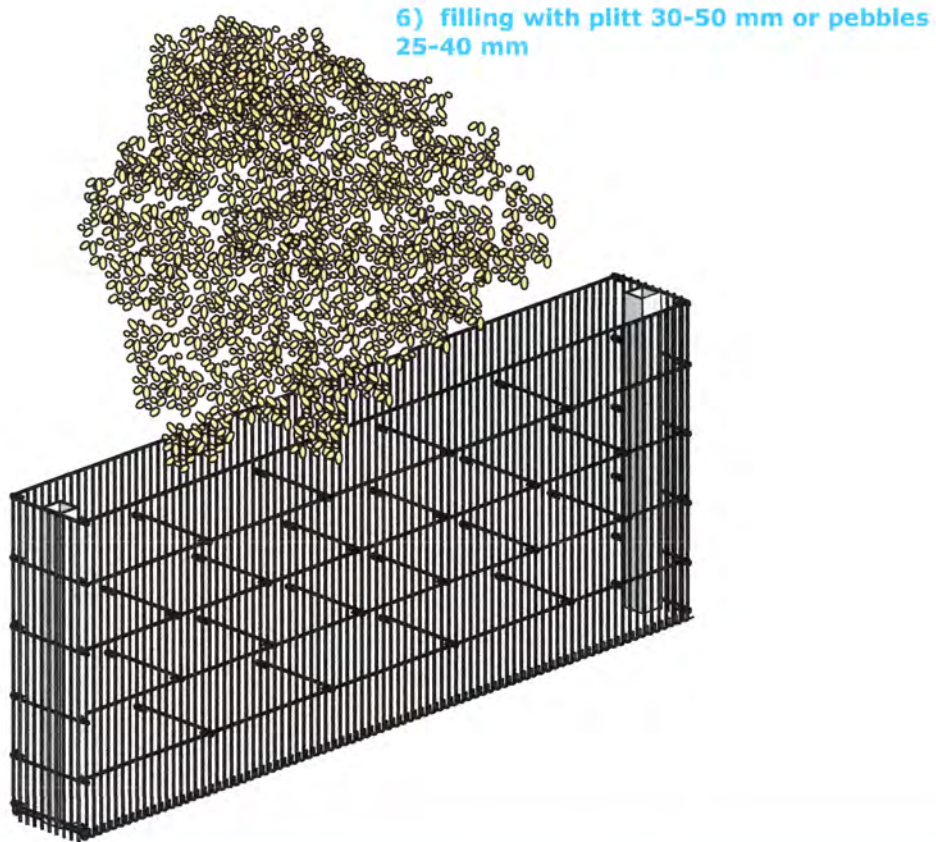


6) cage ready to be filled

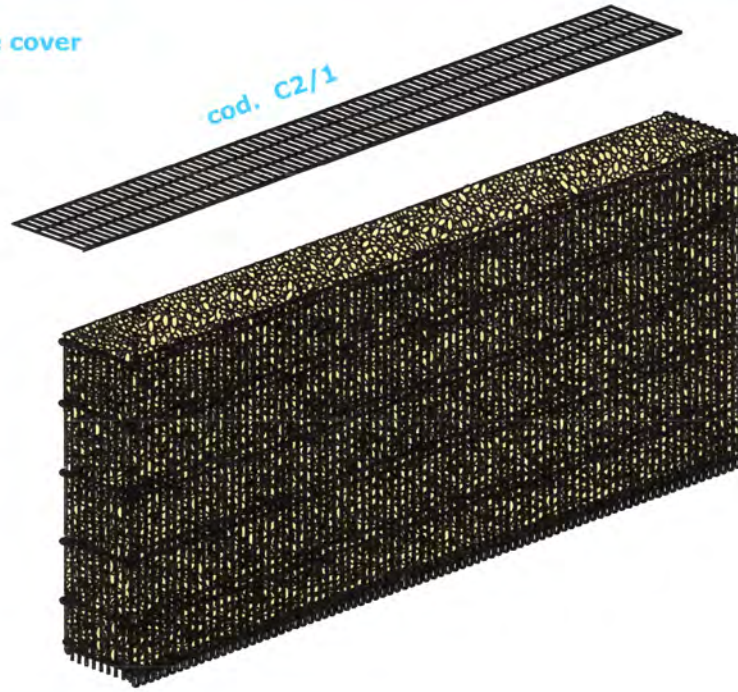


 **GIJIN**
STEEL BOX®

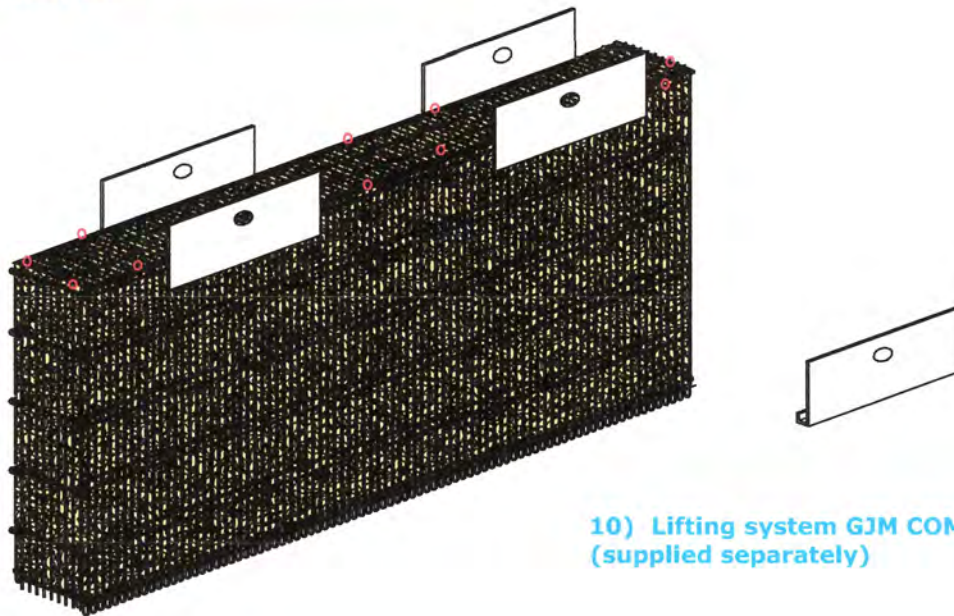
 **METALLURGICA**
LEDRENSE
SOC.COOP.



8) insert the cover



9) secure the cover with the closing ring
cod. AN

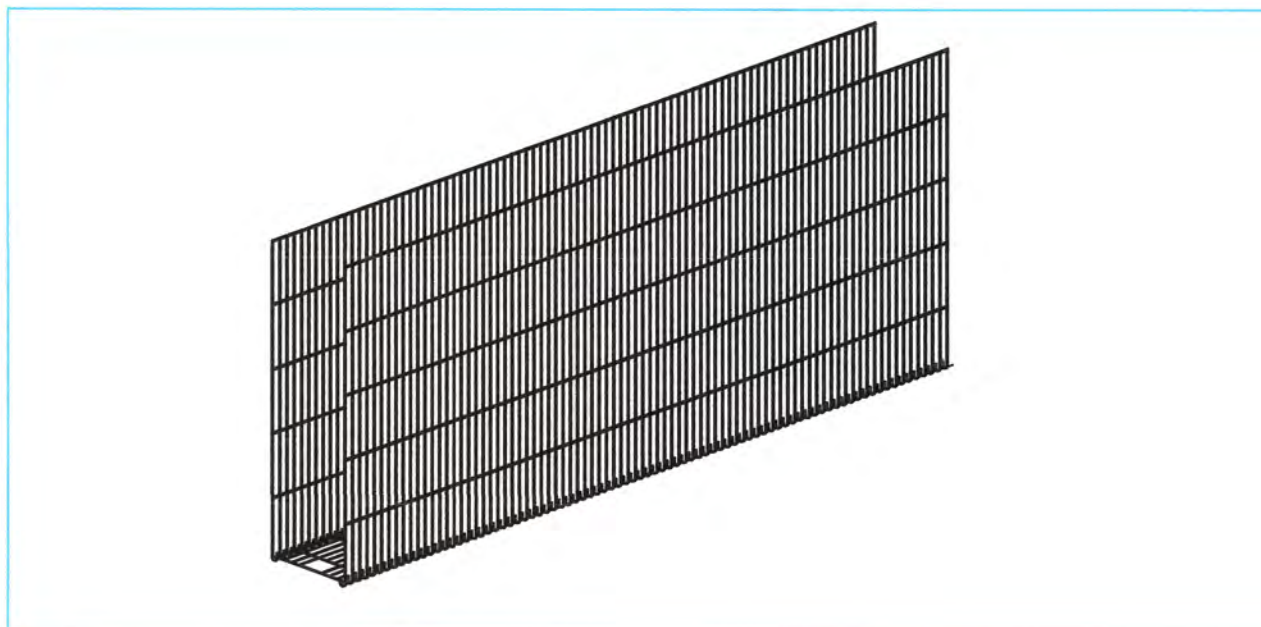
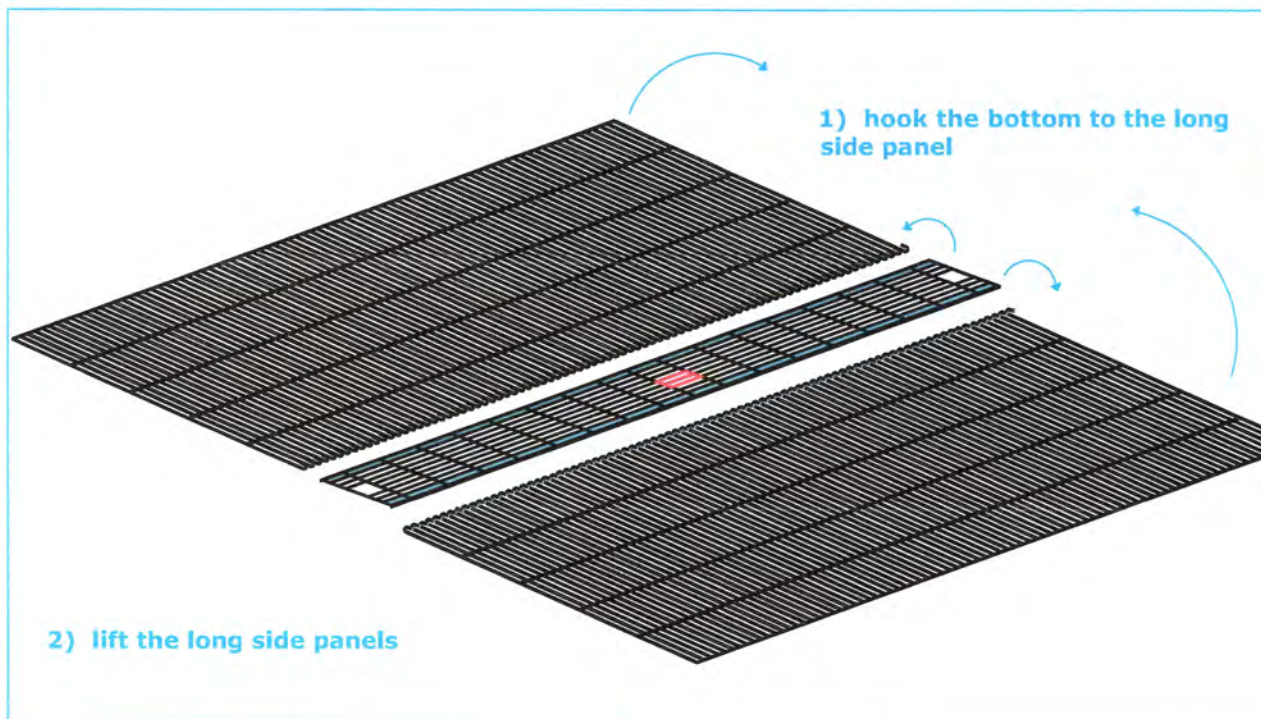


ASSEMBLY PLAN

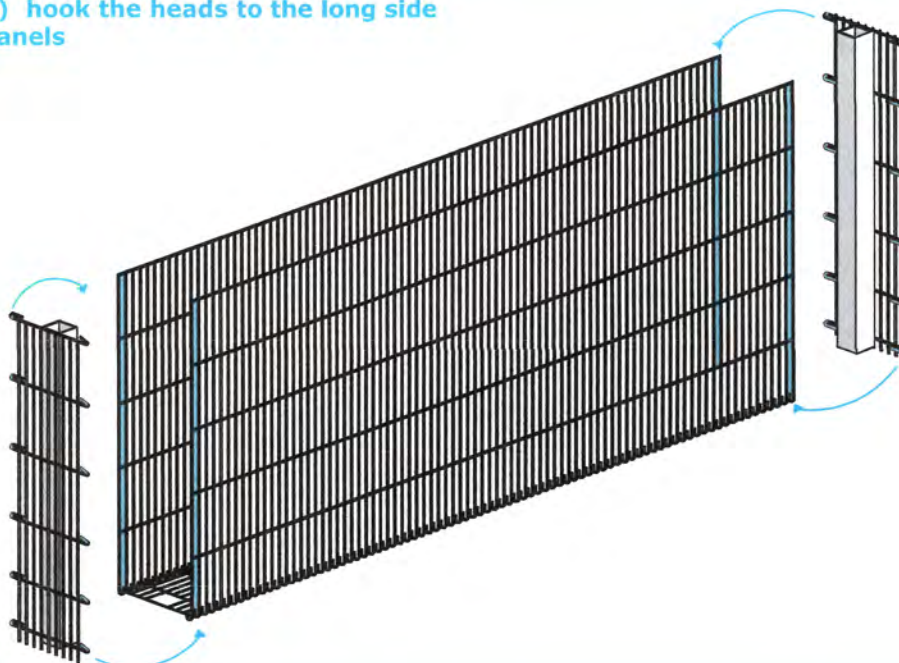
GJM 2.2

200 x 25 x 100 cm

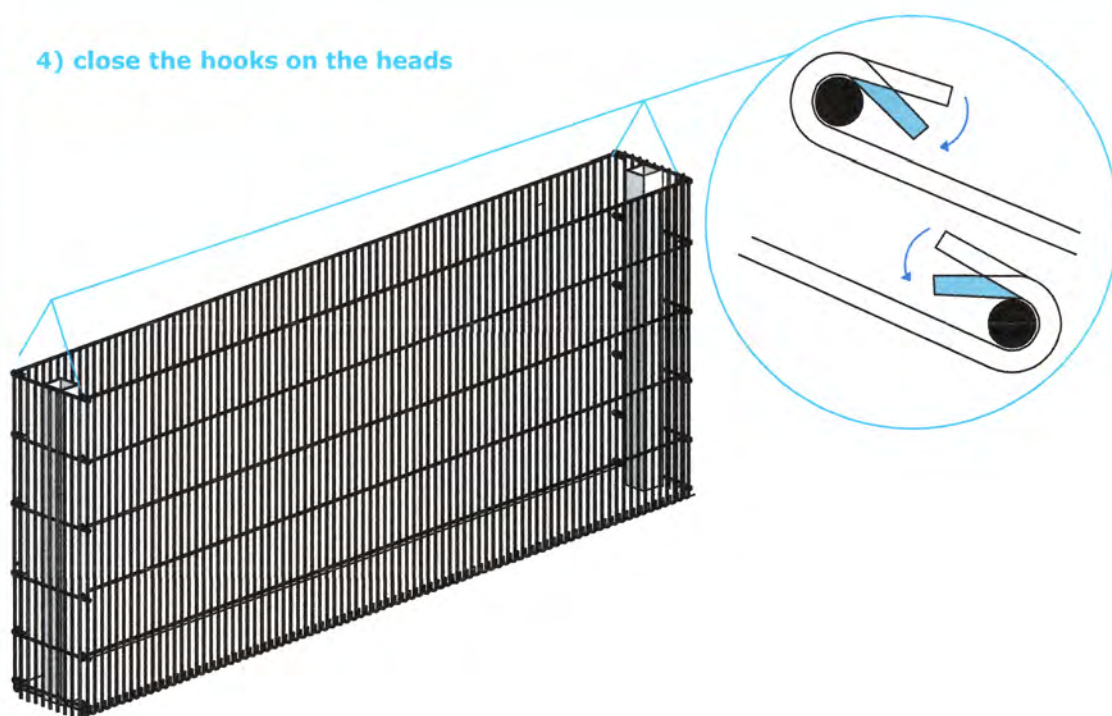
SURMOUNTABLE model



3) hook the heads to the long side panels

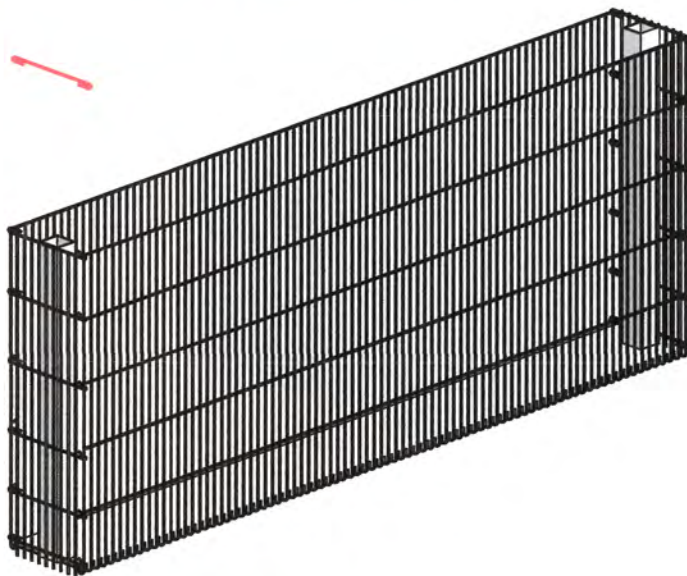


4) close the hooks on the heads



5) inserir the internal rods as shown in the diagram

nr. 20



nr. 4

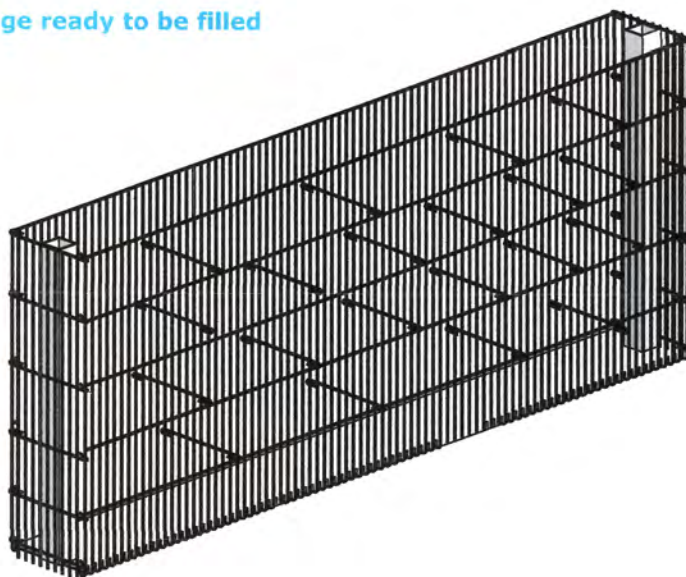
nr. 6

nr. 6

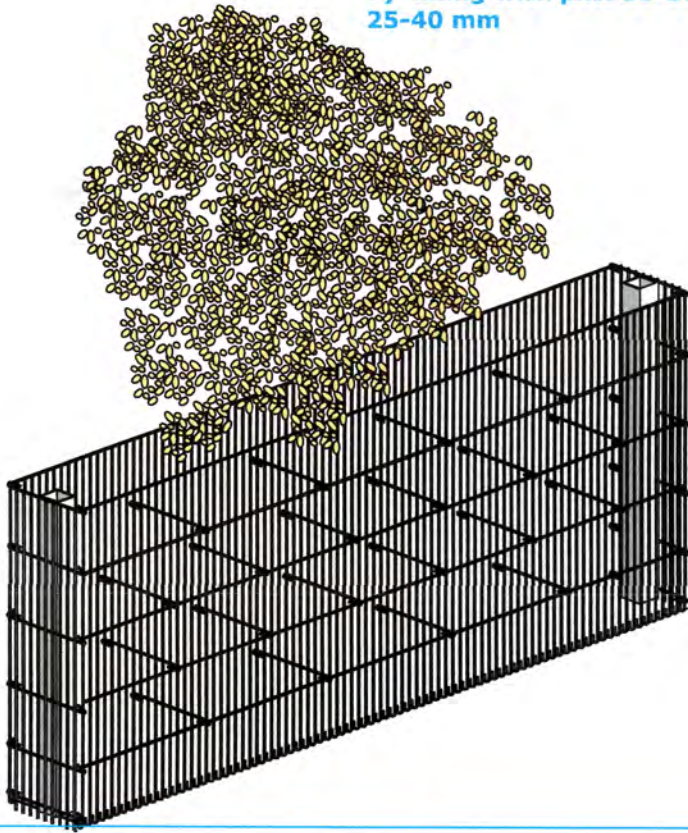
nr. 4



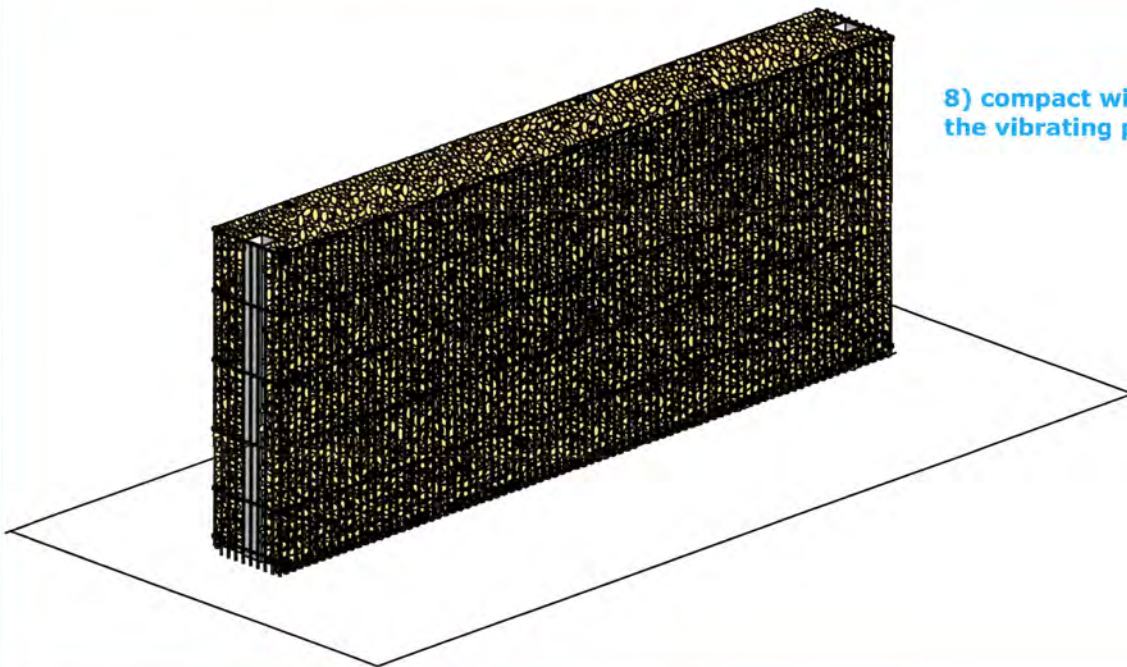
6) cage ready to be filled



7) filling with plitt 30-50 mm or pebbles
25-40 mm

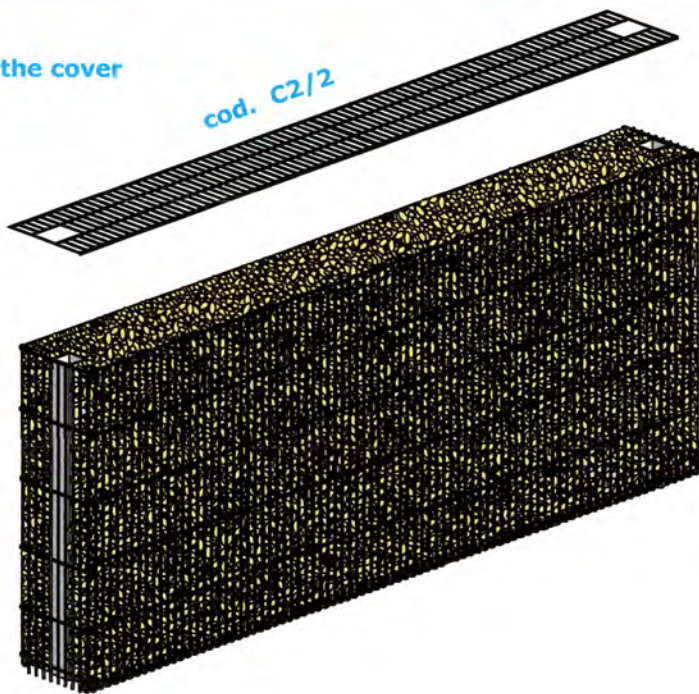


8) compact with
the vibrating plate

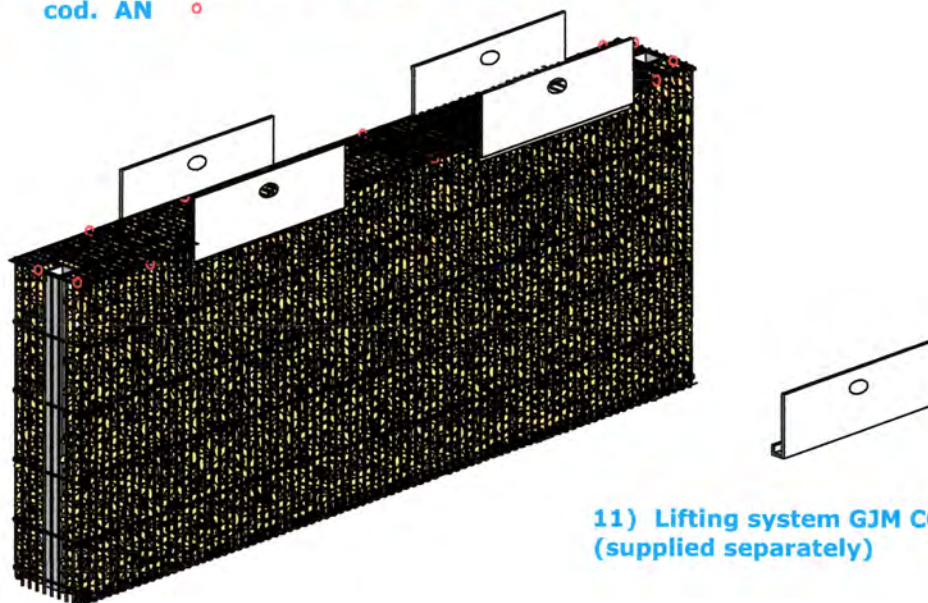


9) insert the cover

cod. C2/2



10) secure the cover with the closing ring
cod. AN



11) Lifting system GJM COMB
(supplied separately)