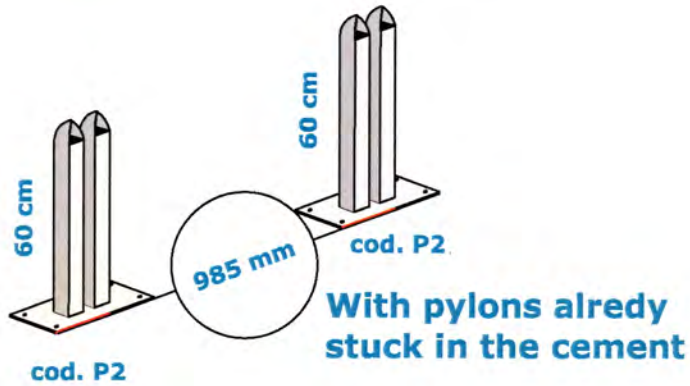
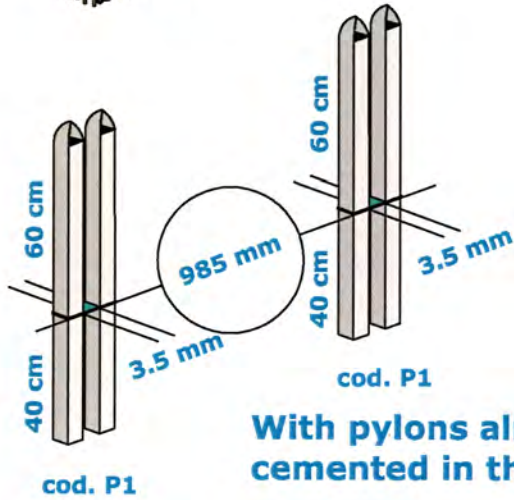
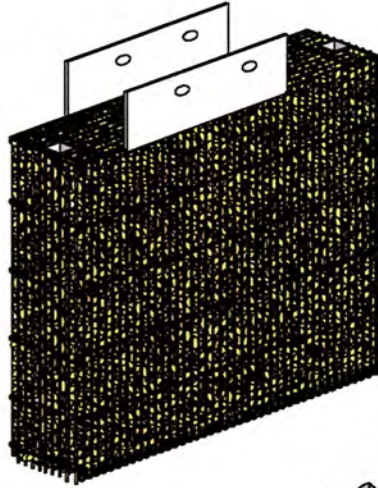


ASSEMBLY ON SITE

GJM 1.2

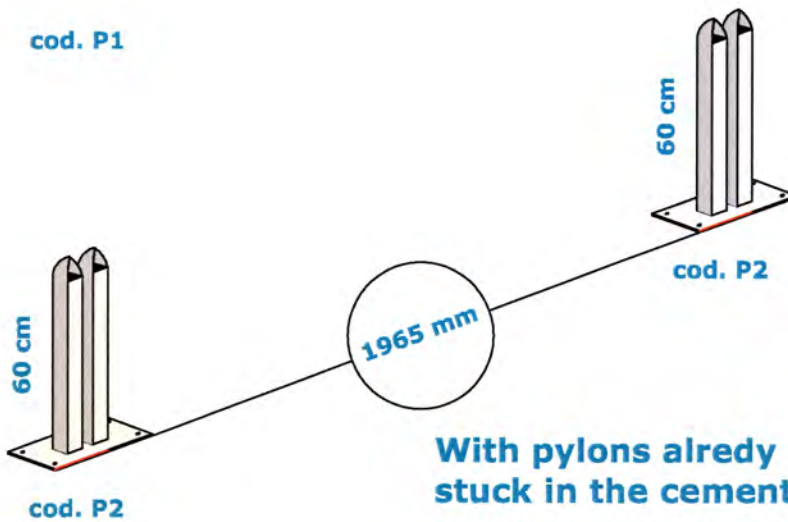
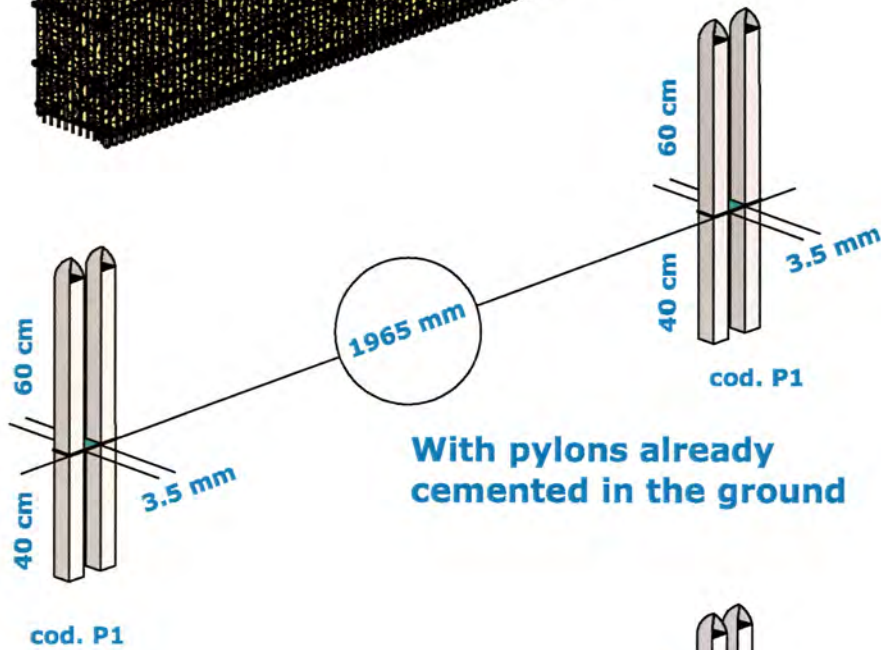
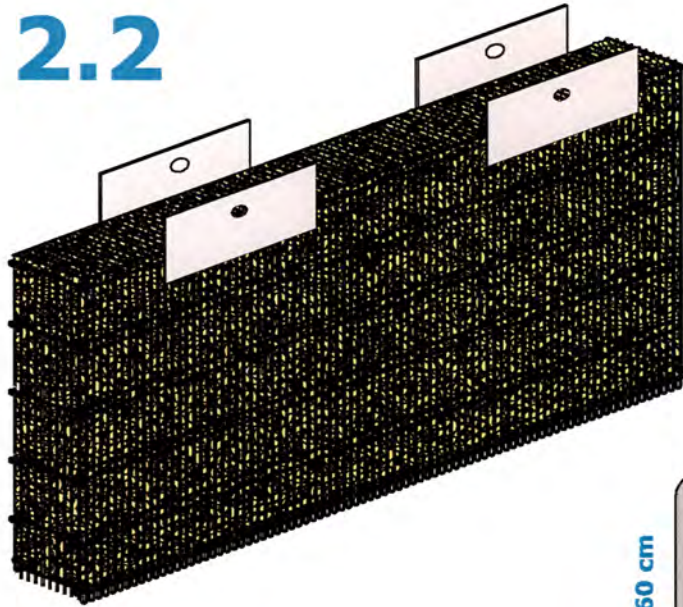


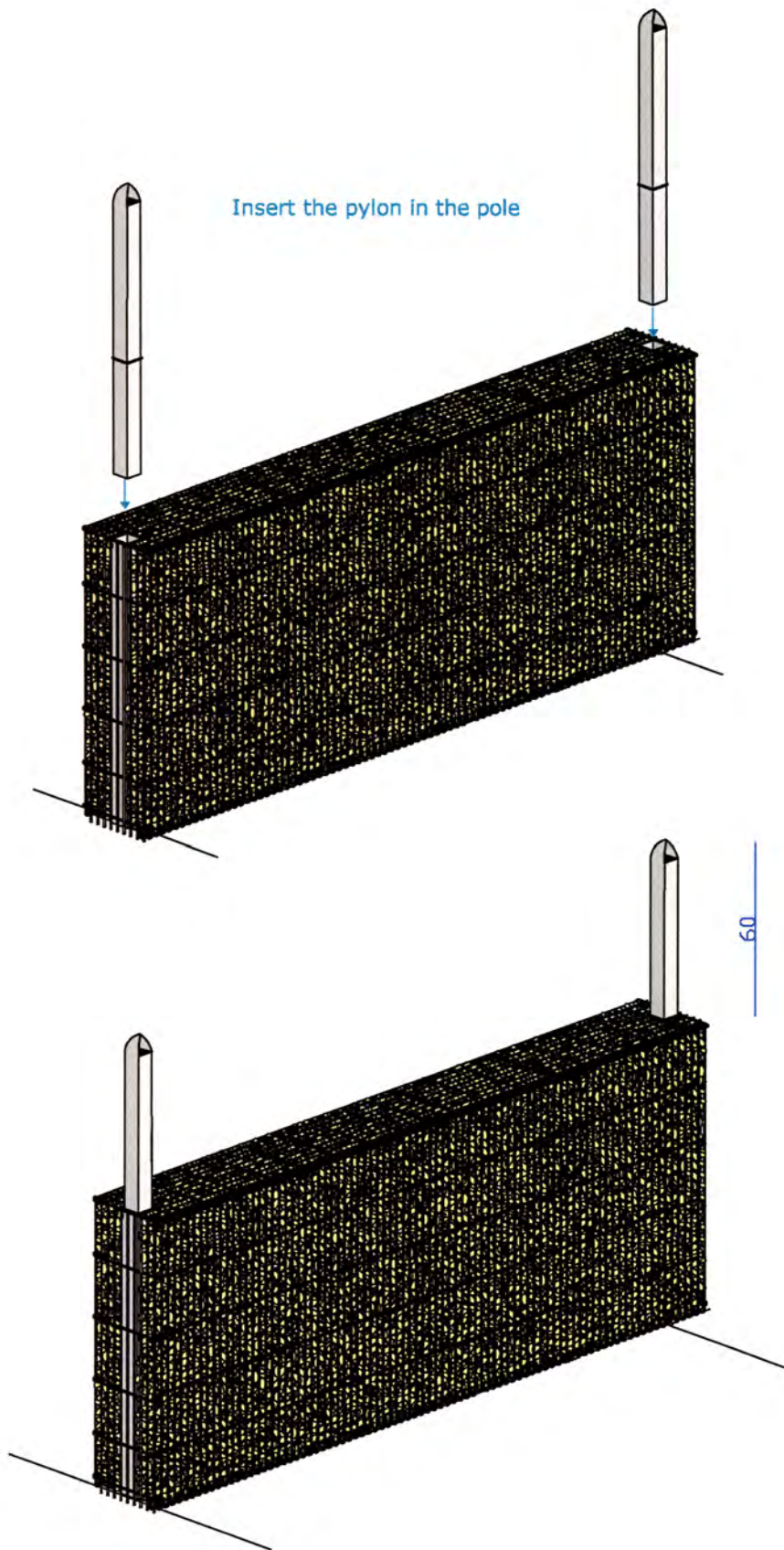
GJM
STEEL BOX®

MECALLURGICA
LEDRENSE
SOC.COOP.

ASSEMBLY ON SITE

GJM 2.2



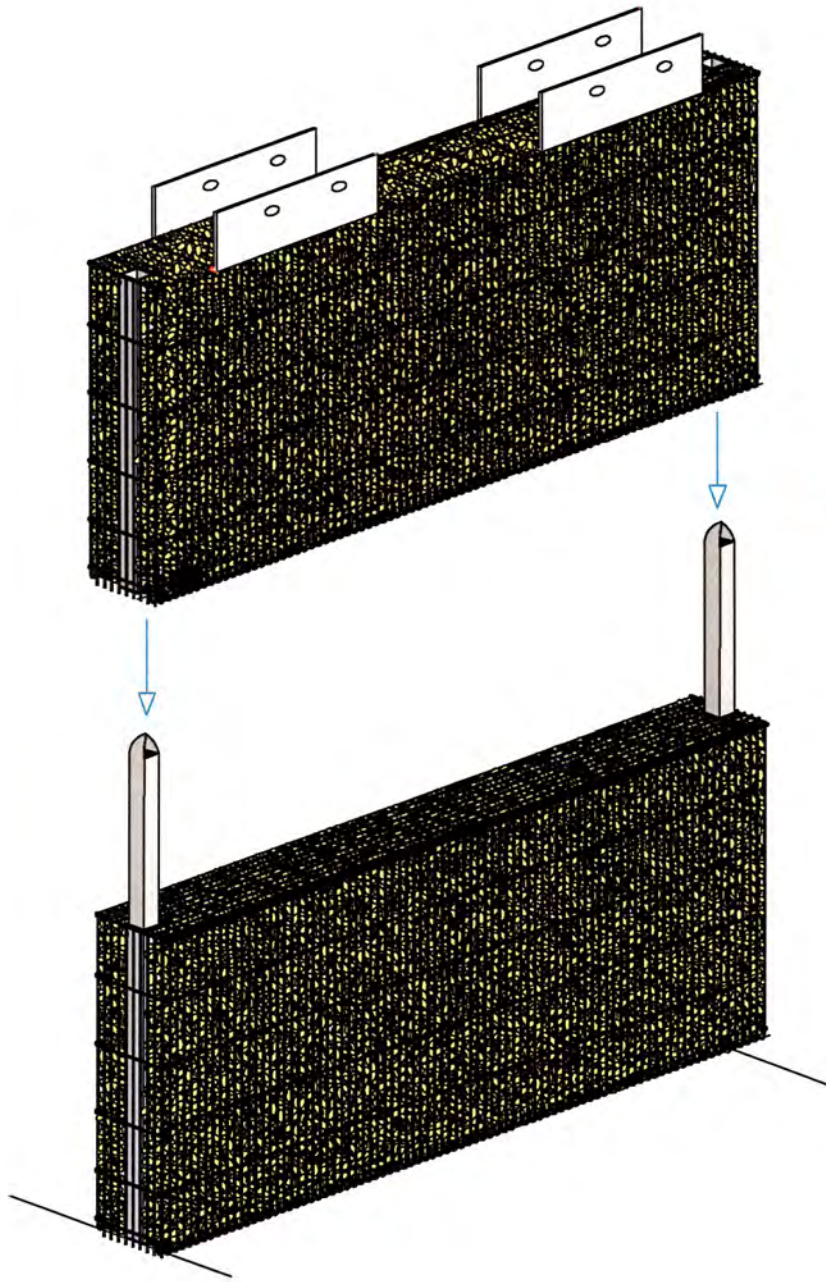


rev. 2021

Patented system

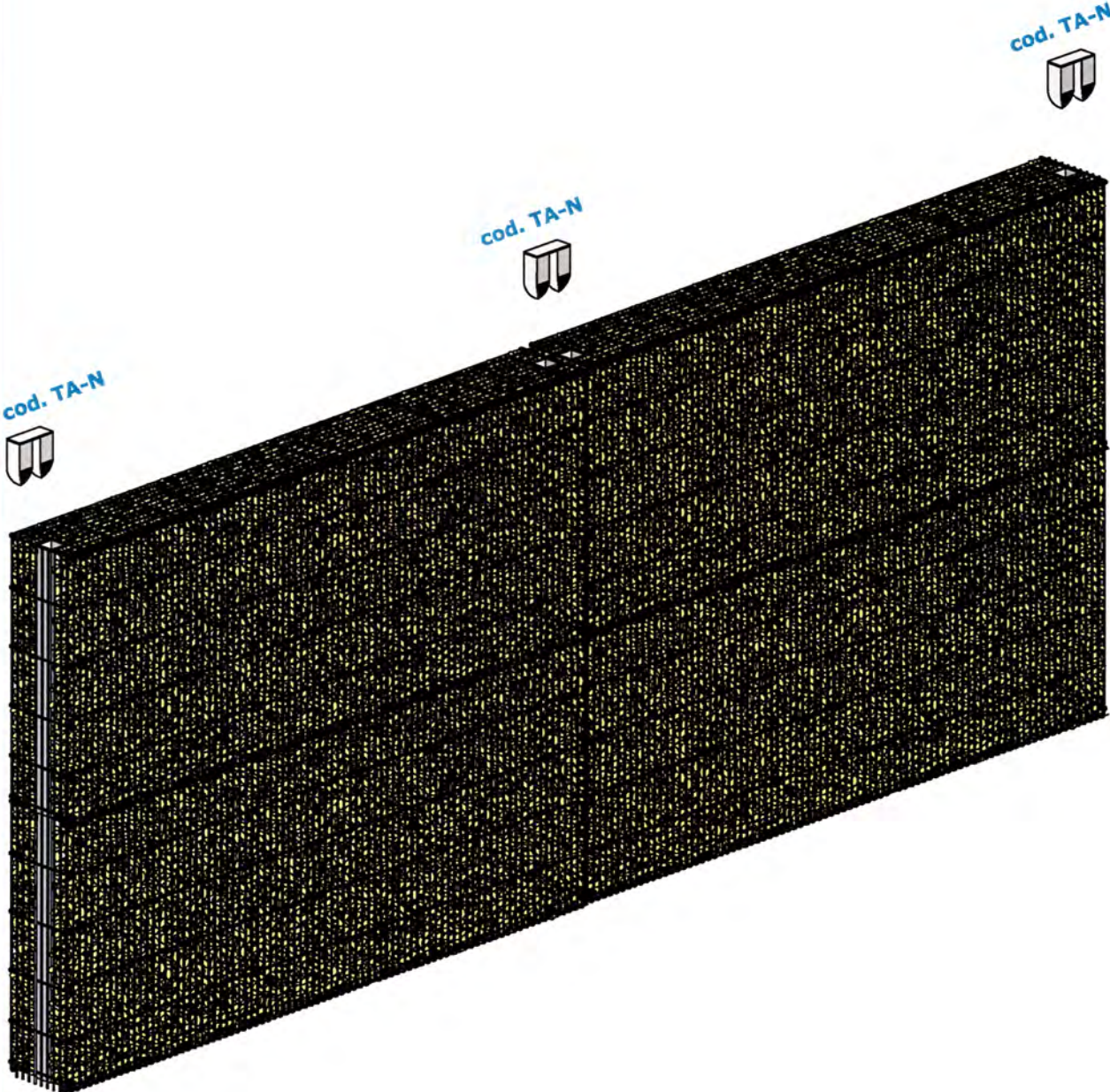
 **GJM**
STEEL BOX®

 **MEC ALLURGICA**
LEDRENSE SOC.COOP.



Mount the second cage on top

Insert the alignment blocks in the gabions



cod. TA-N

cod. TA-N

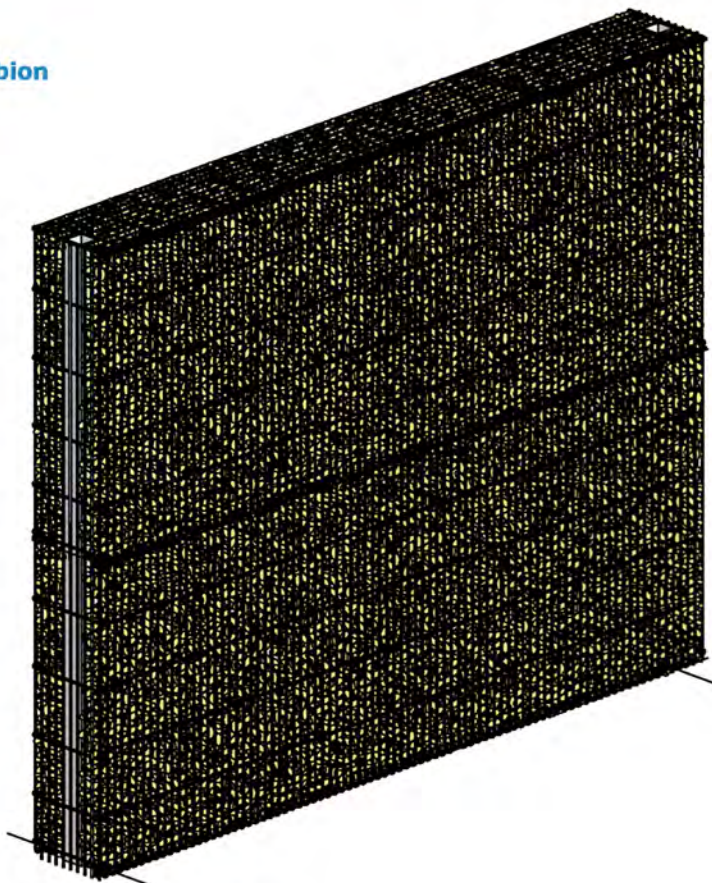
cod. TA-N

**NEOMETALURGICA
LEDRENSE** soc.coop.
**GUN
STEEL BOX**®

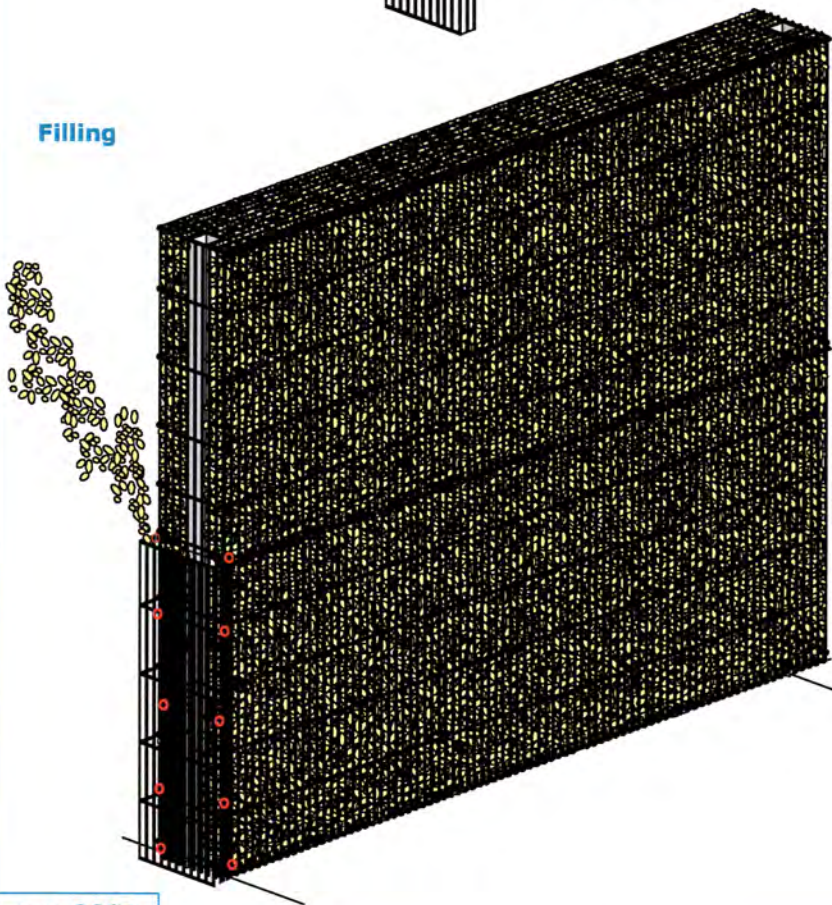
Apply the final part of the gabion and lock it in place with the locking rings



cod. CT



Filling



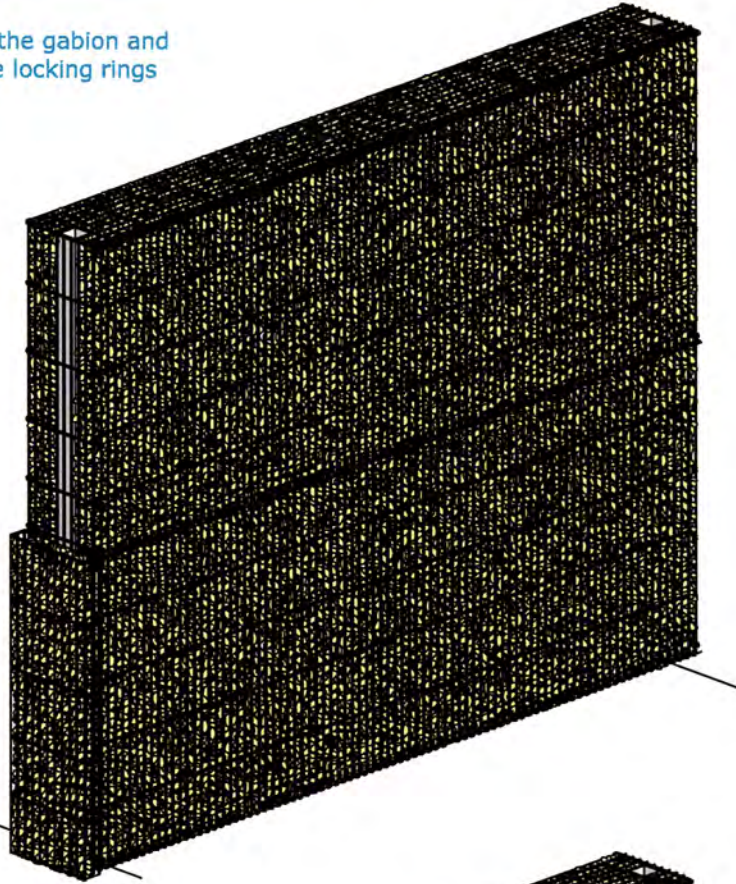
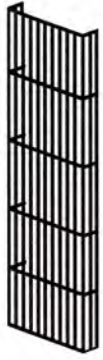
rev. 2021

Patented System

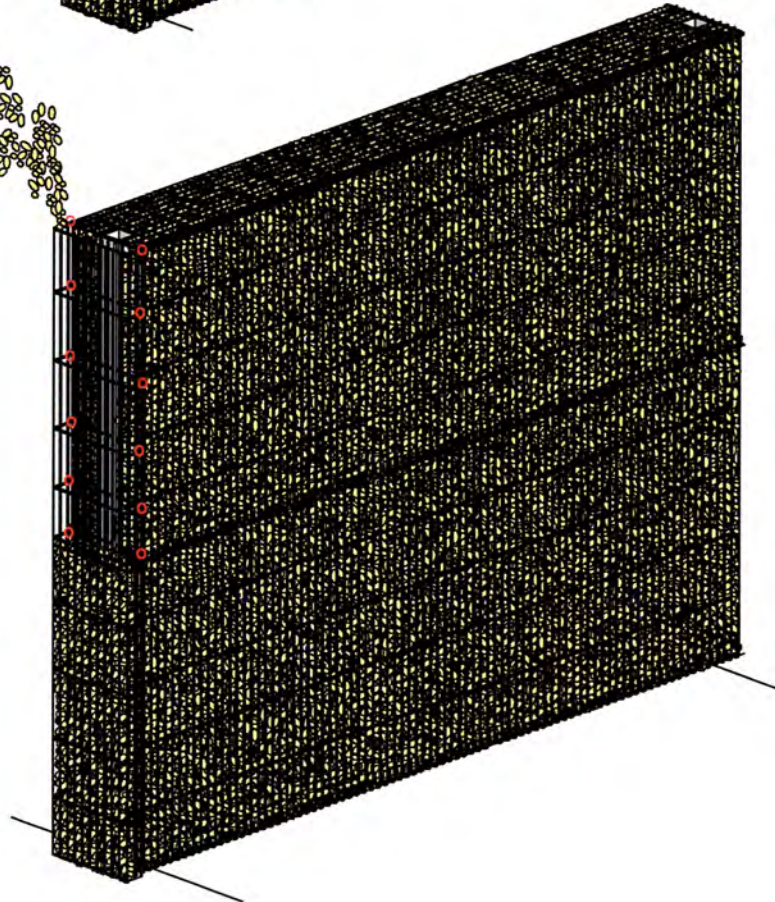
 **GIN**
STEEL BOX®

 **MECALLURGICA**
LEDRENSE soc.coop.

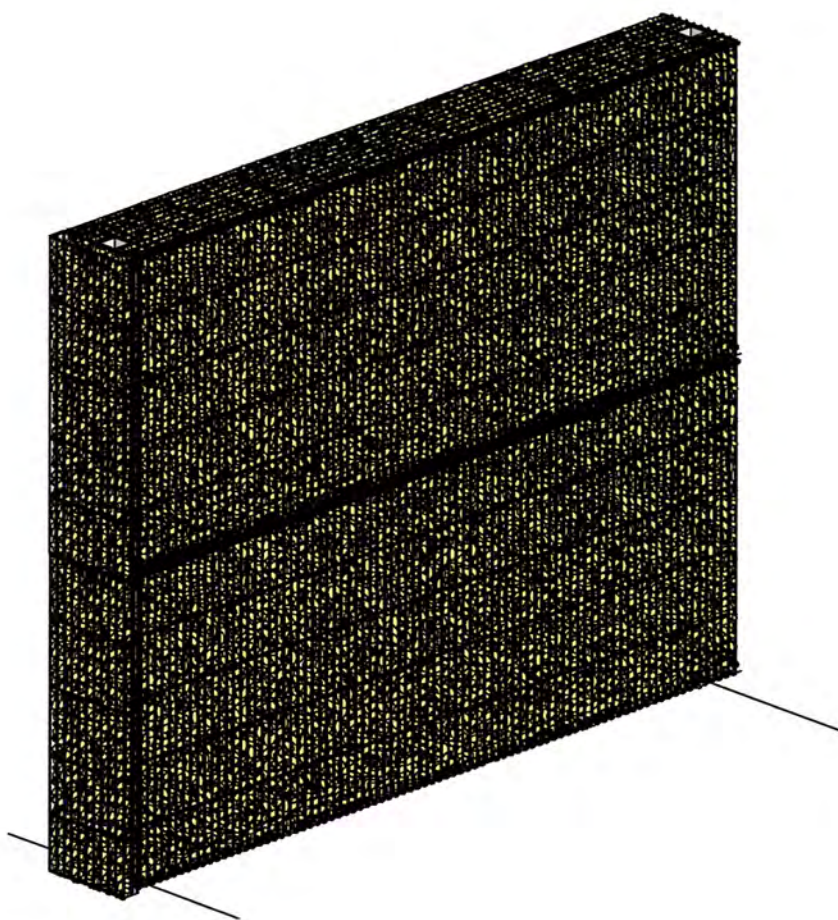
Apply the final part of the gabion and lock it in place with the locking rings



Filling



SIMPLY FAST



rev. 2021

Patented System

**GJM**
STEEL BOX®

**MEC ALLURGICA**
LEDRENSE soc.coop.