



**METALLURGICA  
LEDRENSE** soc.coop.



## CATALOG LIST OF PIECES

LONG SIDE PANELS

HEAD PANELS

BOTTOM PANELS

COVER PANELS

PYLONS

ASSEMBLY PLAN :



100 x 15 x 50 cm

100 x 15 x 100 cm

200 x 15 x 50 cm

200 x 15 x 100 cm

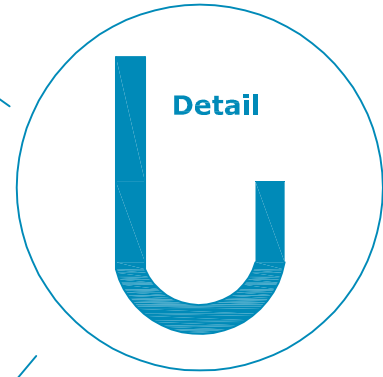
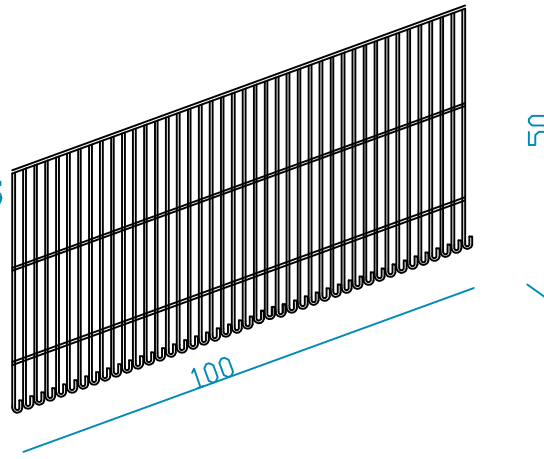


# LONG SIDE PANELS

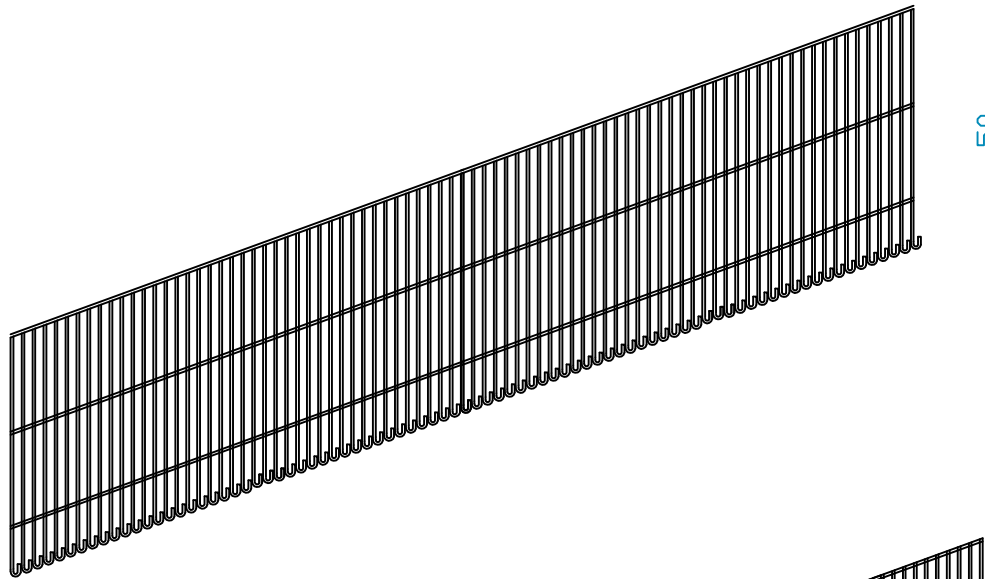
## DESCRIPTION:

single white  
zinc-aluminum alloy  
diameter 6 mm  
mesh 19 x 200 mm

cod. L1.05

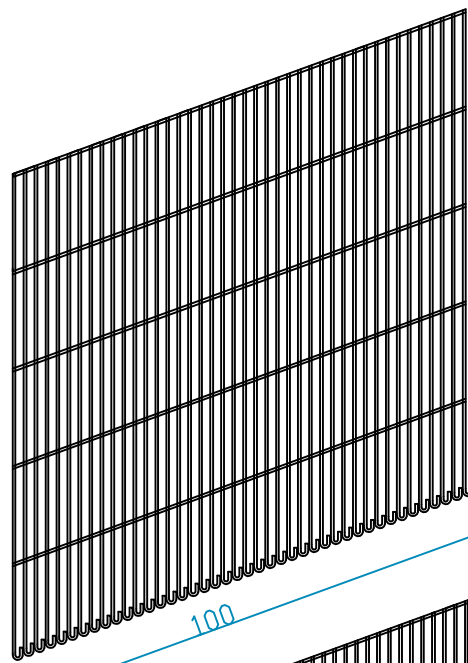


cod. L2.05

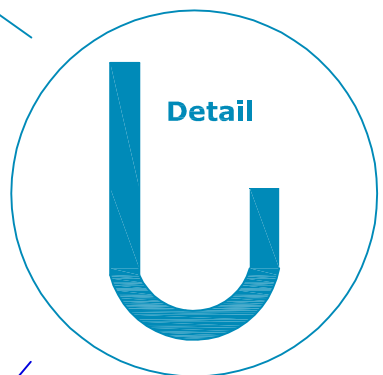


50

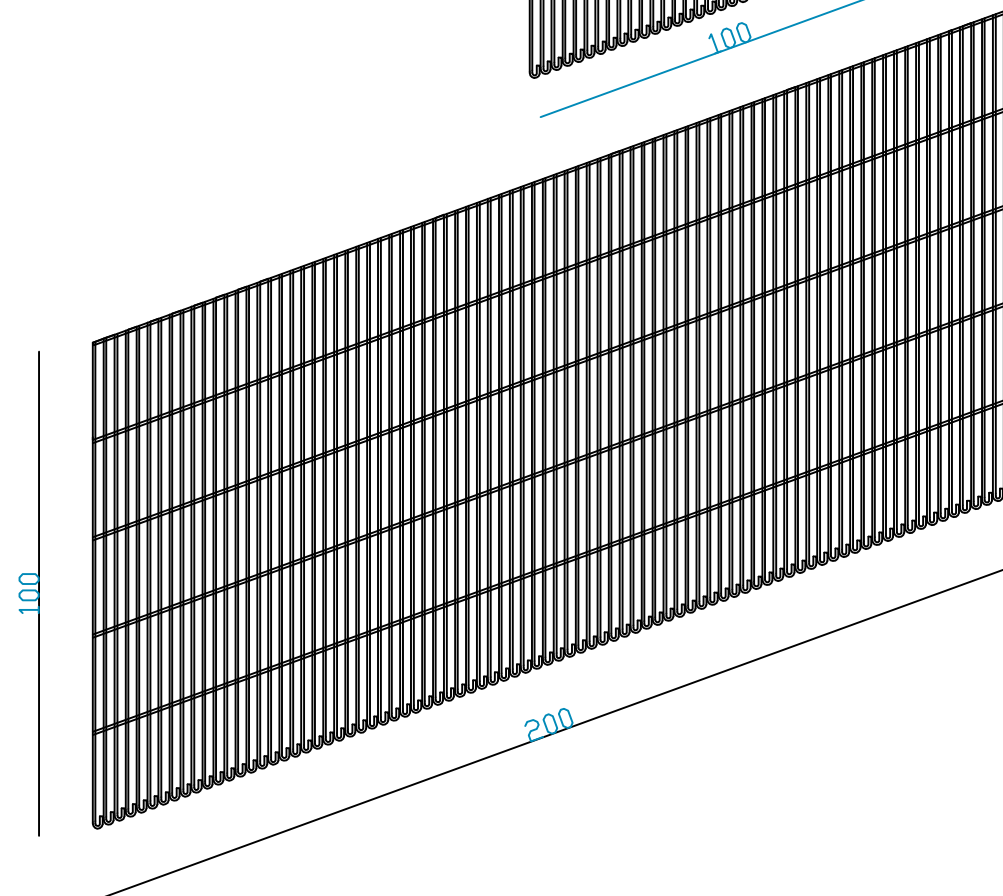
cod. L1



100



cod. L2



100

200

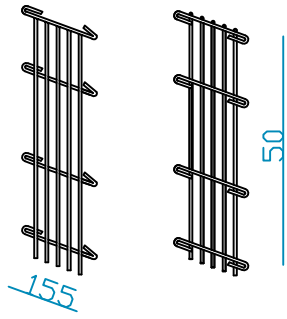
PATENTED

SLIM  
STEEL BOX®

MECCANURGICA  
LEDRENSE  
SOC.COOP.

# HEADS

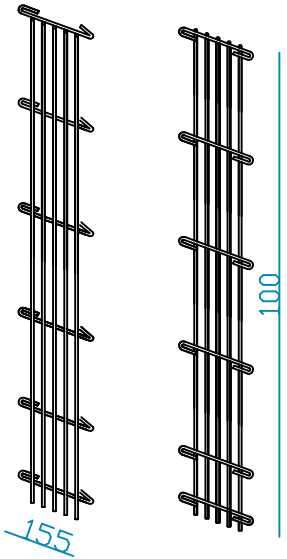
cod. T1.05-S



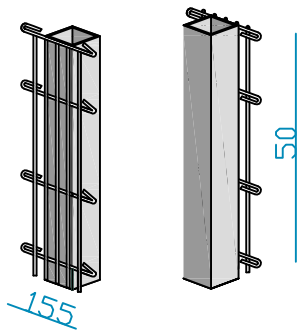
## DESCRIPTION:

single wire  
zinc-aluminum alloy  
diameter 6 mm  
mesh 19 x 200 mm

cod. T1-S



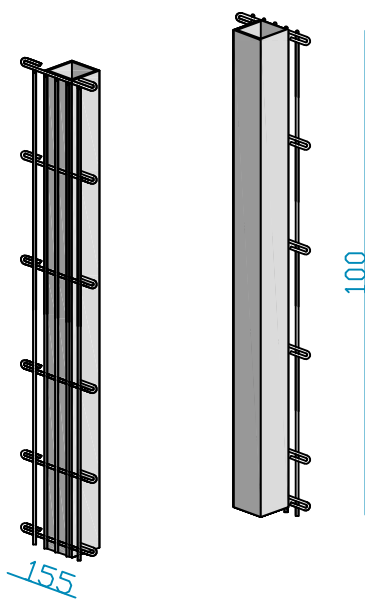
cod. T2.05-S



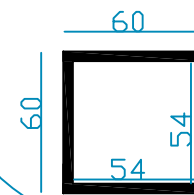
## DESCRIPTION:

galvanized pole 60 x 60 mm  
thickness 3 mm

cod. T2-S



Detail



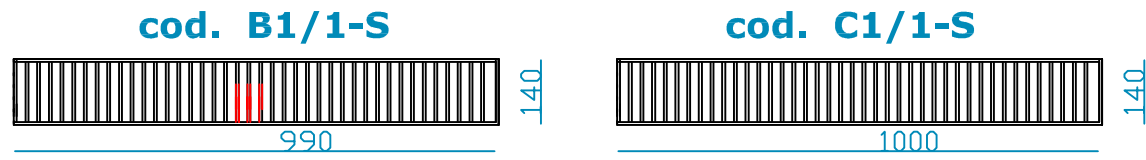
PATENTED

# FLOOR - BOTTOM PANELS COVER PANELS

mod. B  
mod. C

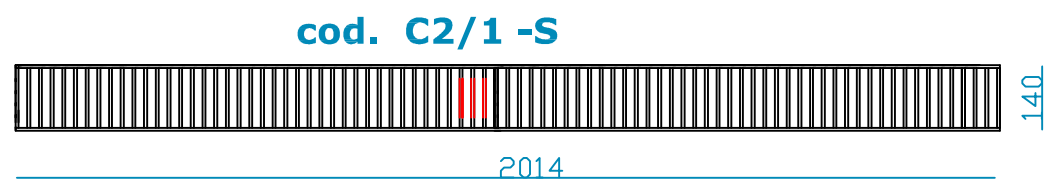
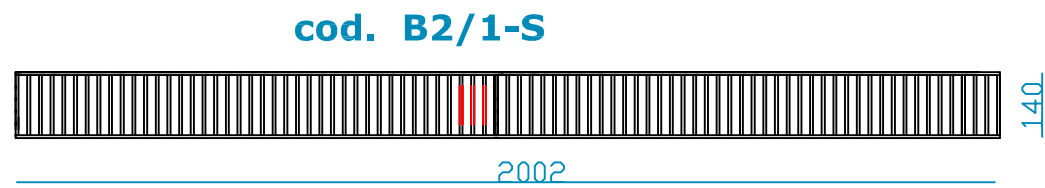
 red coloured

## NOT SURMOUNTABLE model

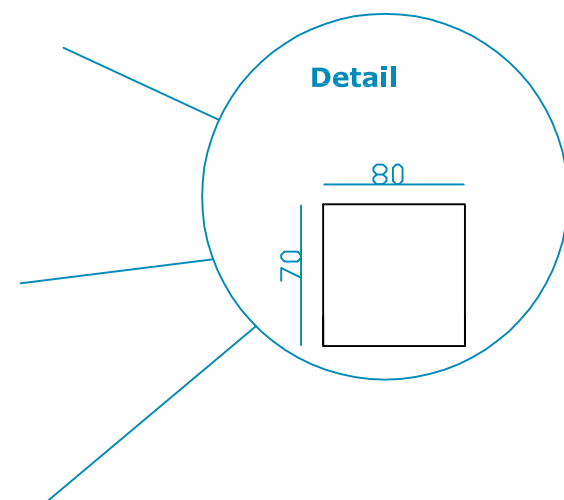
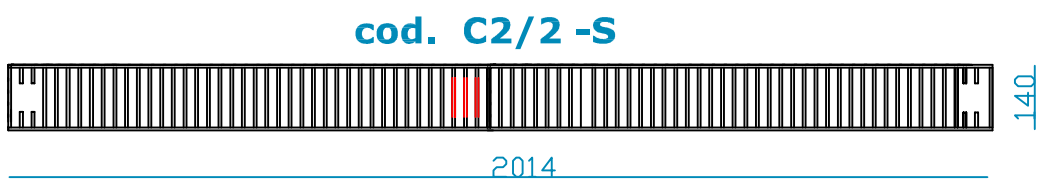
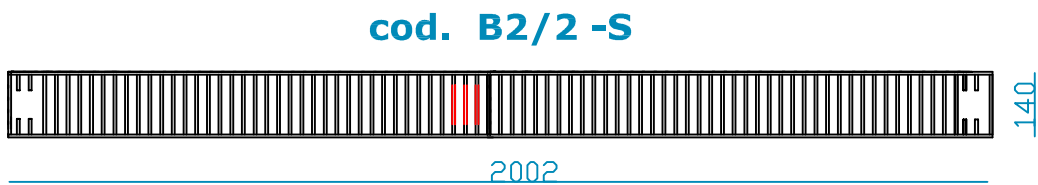
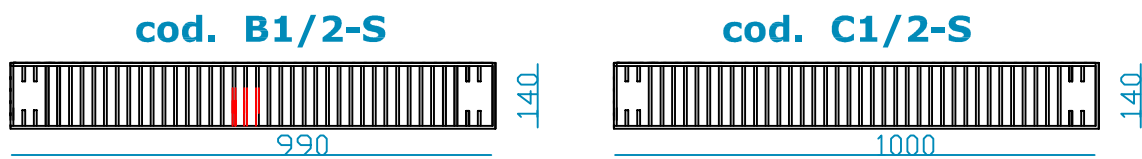


### DESCRIPTION:

single wire  
zinc-aluminum alloy  
diameter 6 mm  
mesh 19 x 200 mm

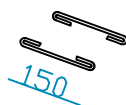


## SURMOUNTABLE model



### INTERIOR RODS

cod. QS-S



### LOCKING RINGS

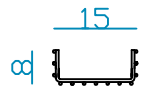
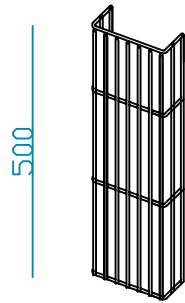


cod. AN

PATENTED

# ACCESSOIRES

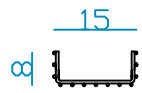
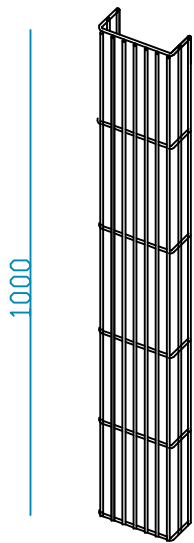
## FINAL CLOSING PANELS



**cod. CTs.0.5**

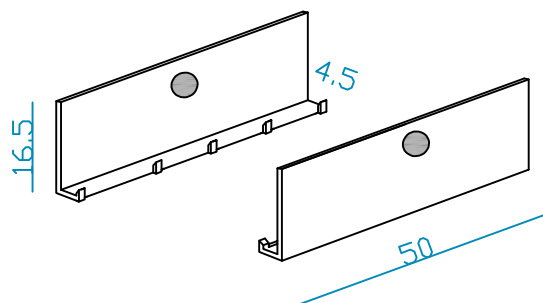
### DESCRIPTION:

single wire  
zinc-aluminum alloy  
diameter 6 mm  
mesh 19 x 200 mm



**cod. CTs.1**

## LIFTING SYSTEM - GJM COMB



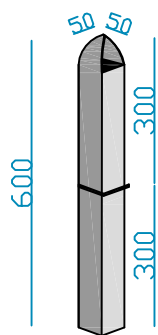
**cod. PS**

peso massimo 400 Kg/pc

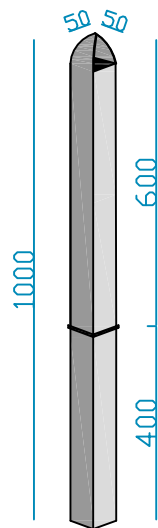
**PATENTED**

# PYLON

cod. IDS50



cod. IDS100

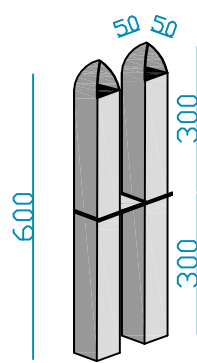
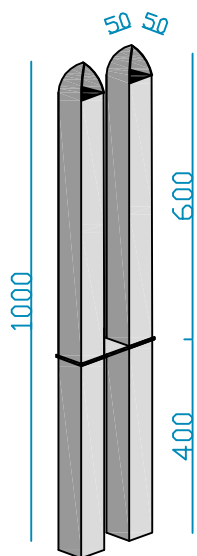


**DESCRIPTION:**

galvanized pylon 50 x 50 thickness 3 mm

**DESCRIPTION:**

double pylon galvanized, outdistanced for 32 mm



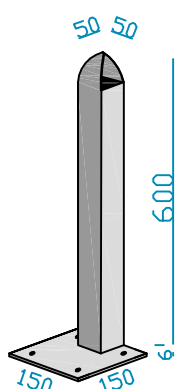
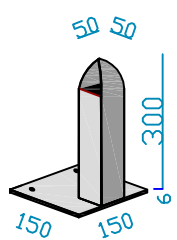
cod. IDD100

cod. IDD 50

**DESCRIPTION:**

galvanized pylon 50 x 50 thickness 3 mm

anchor plate thickness 6 mm  
holes  $\varnothing$  12 x 22 mm



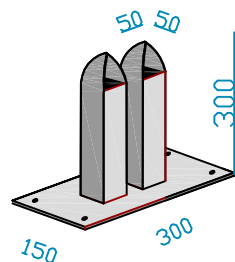
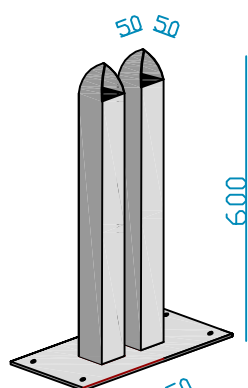
cod. ISP50

cod. ISP100

**DESCRIPTION:**

double pylon galvanized, outdistanced for 32 mm

anchor plate thickness 6 mm  
holes  $\varnothing$  12 x 22 mm



cod. IDP100

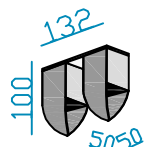
cod. IDP50

**Anchoring:** mechanical block type W-FAZ / S M10 Wuerth or M10 threaded bar class 8.8 with WIT-WM200 Wuerth resin

## ALIGNMENT AND LOCKING CAP

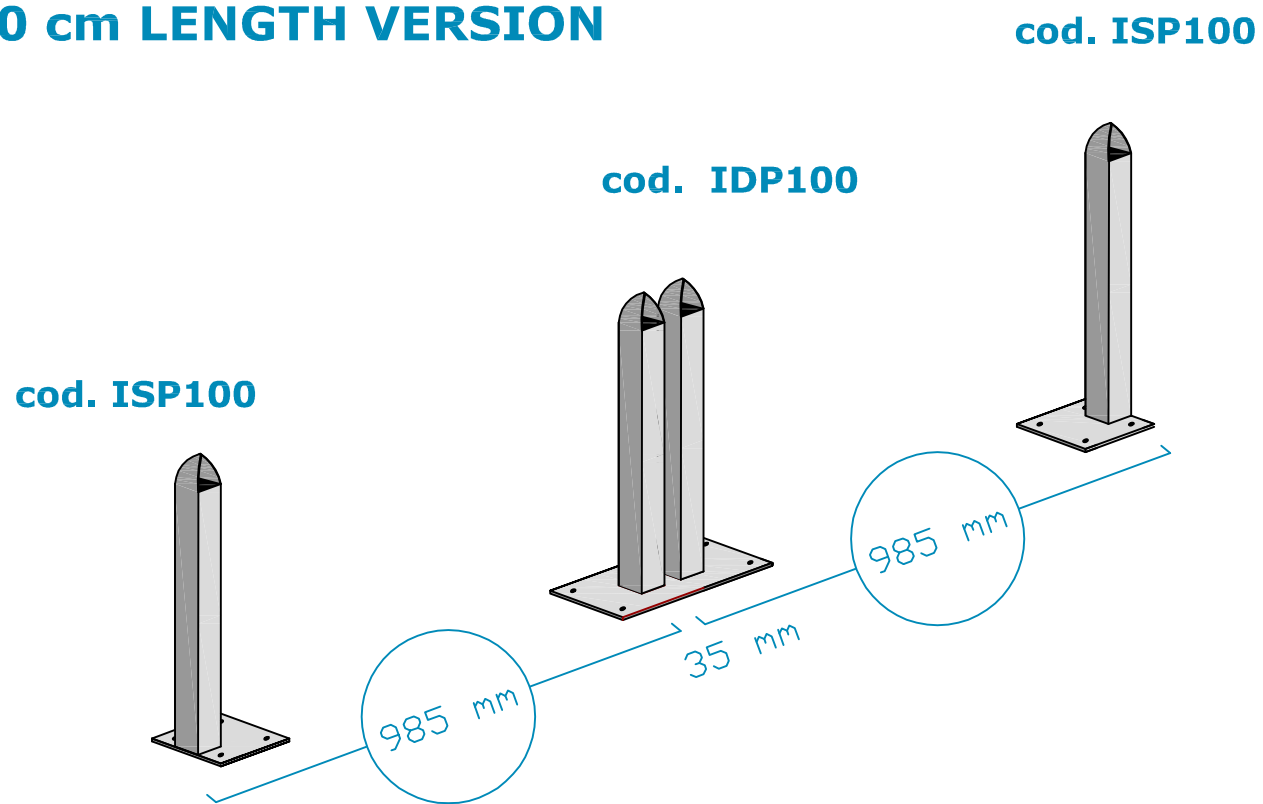
cod. TA

**DESCRIPTION:** double pylon galvanized 50 x 50 x sp.3 mm outdistanced for 32 mm, h.100 mm with plate 50 x 132 x sp. 6 mm

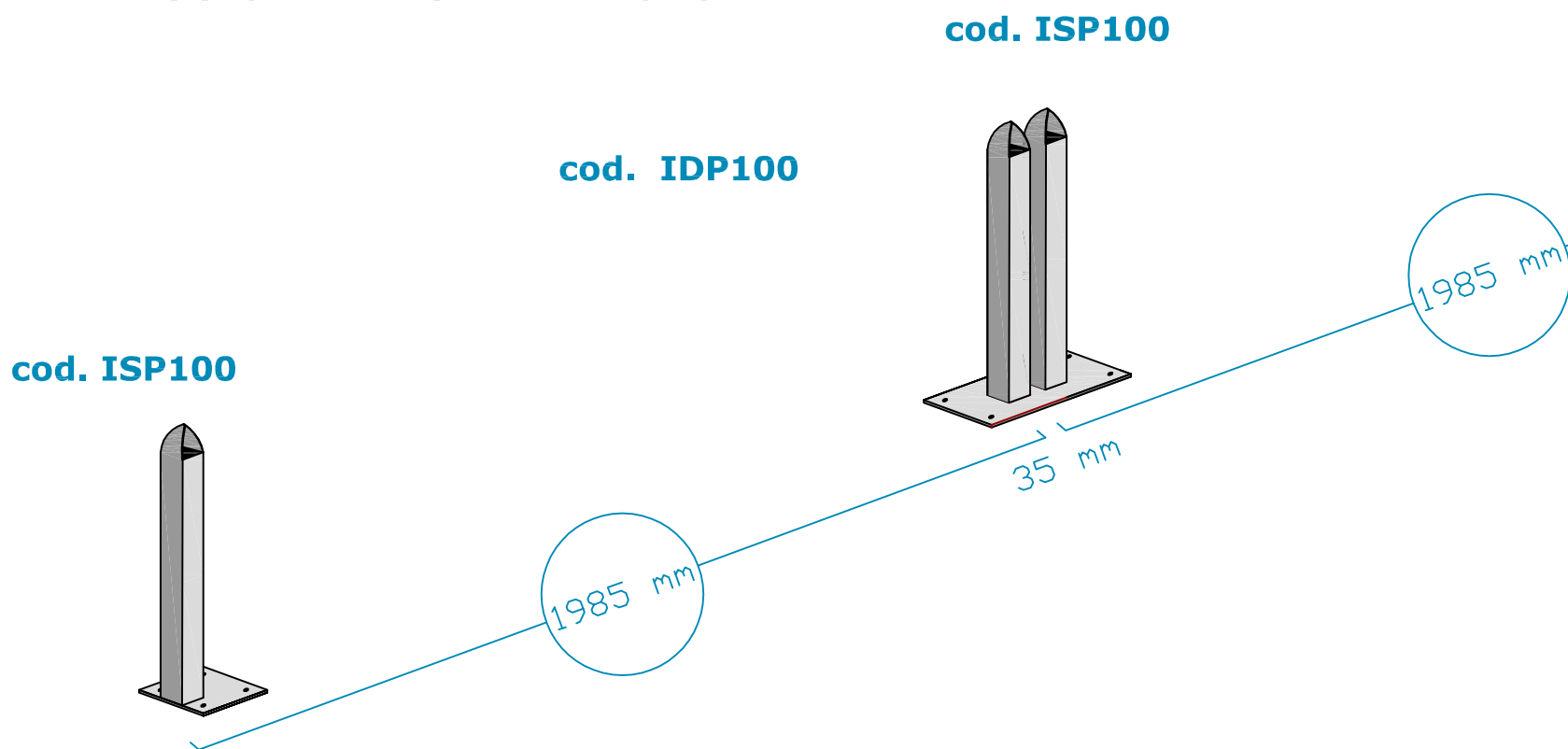


# MEASUREMENT FOR THE PYLONS' POSITIONING

## 100 cm LENGTH VERSION



## 200 cm LENGTH VERSION

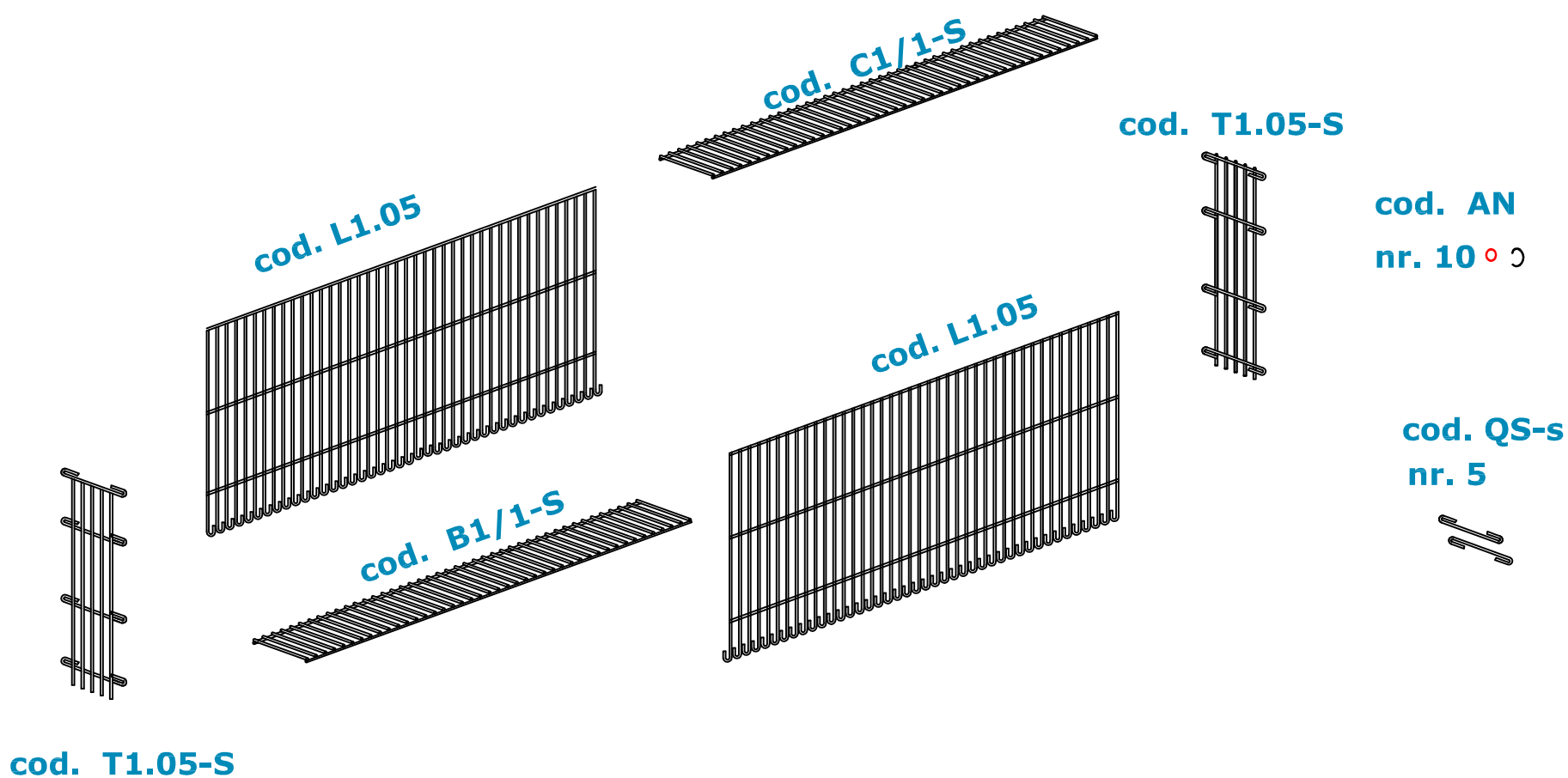


HEIGHT VERSION 50 cm

# GJM-S 1.05.1

100 x 15 x 50 cm

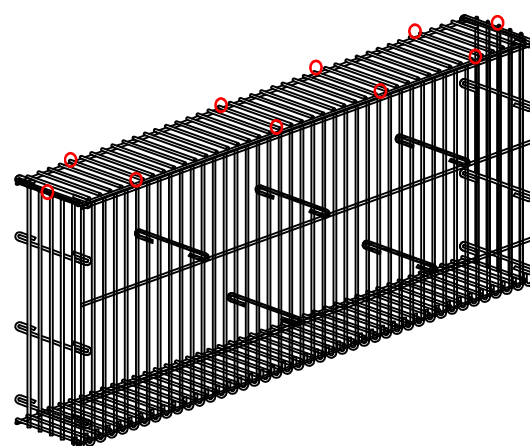
INVENTORY OF COMPONENTS



**SUMMARY :**

- cod. L1.05 nr. 2
- cod. B1/1s nr. 1
- cod. C1/1s nr. 1
- cod. T1.05s nr. 2
- cod. QS s nr. 8
- cod. AN nr. 10

**EMPTY WEIGHT**  
Kg. 15



PATENTED

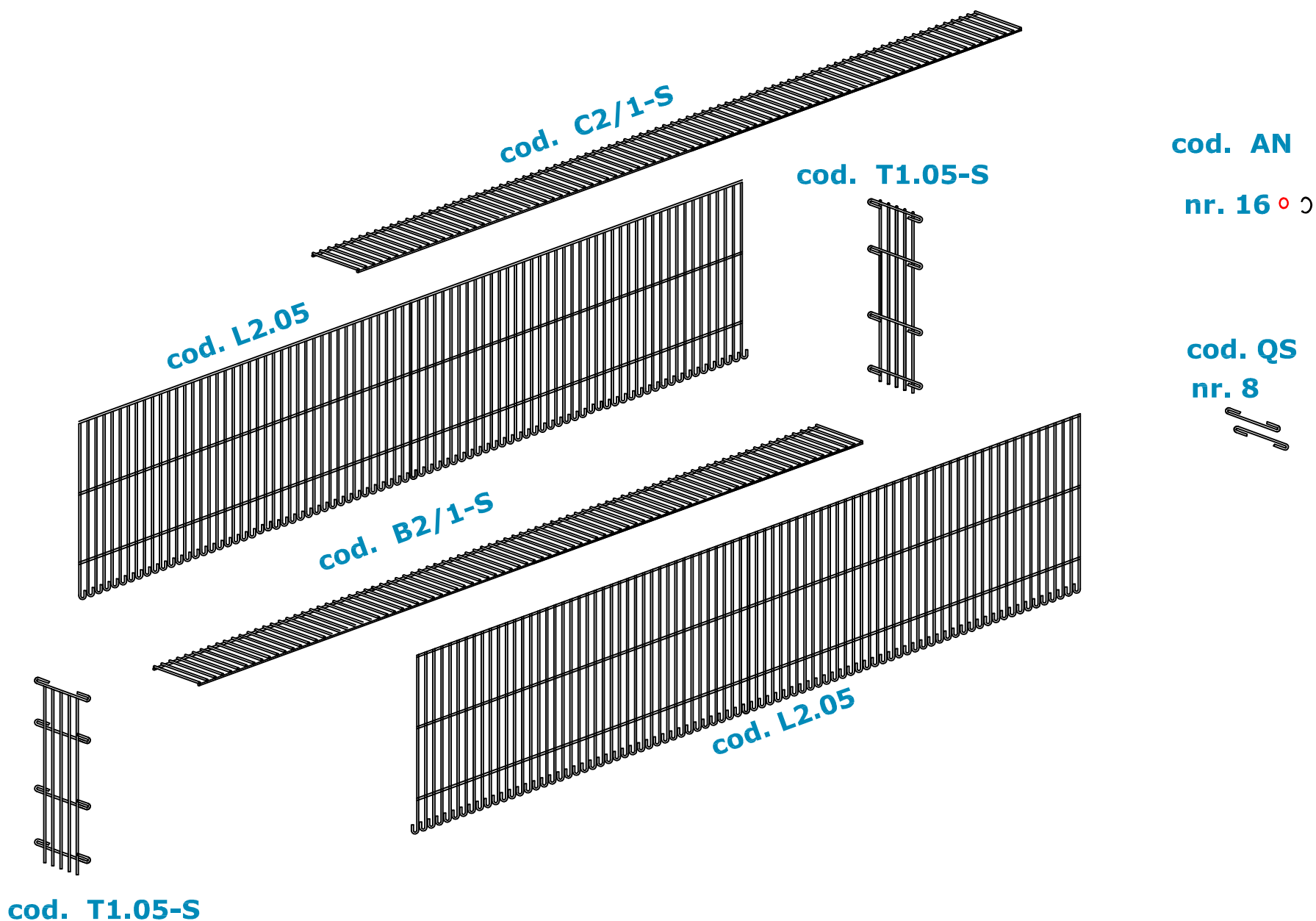


HEIGHT VERSION 50 cm

# GJM-S 2.05.1

200 x 15 x 50 cm

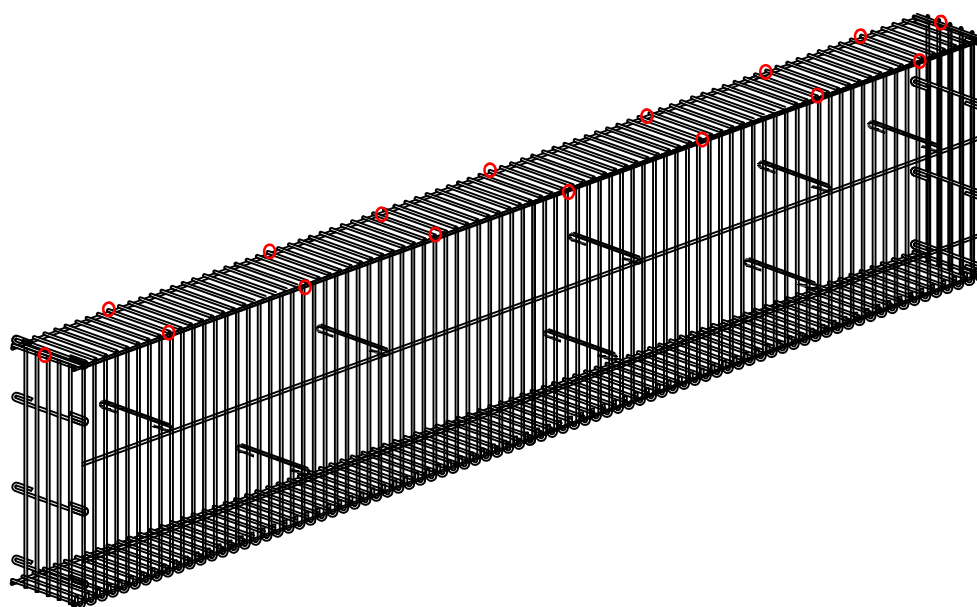
INVENTORY OF COMPONENTS



## SUMMARY :

cod. L2.05	nr. 2
cod. B2/1s	nr. 1
cod. C2/1s	nr. 1
cod. T1.05s	nr. 2
cod. QS s	nr. 8
cod. AN	nr. 16

EMPTY WEIGHT  
Kg. 31



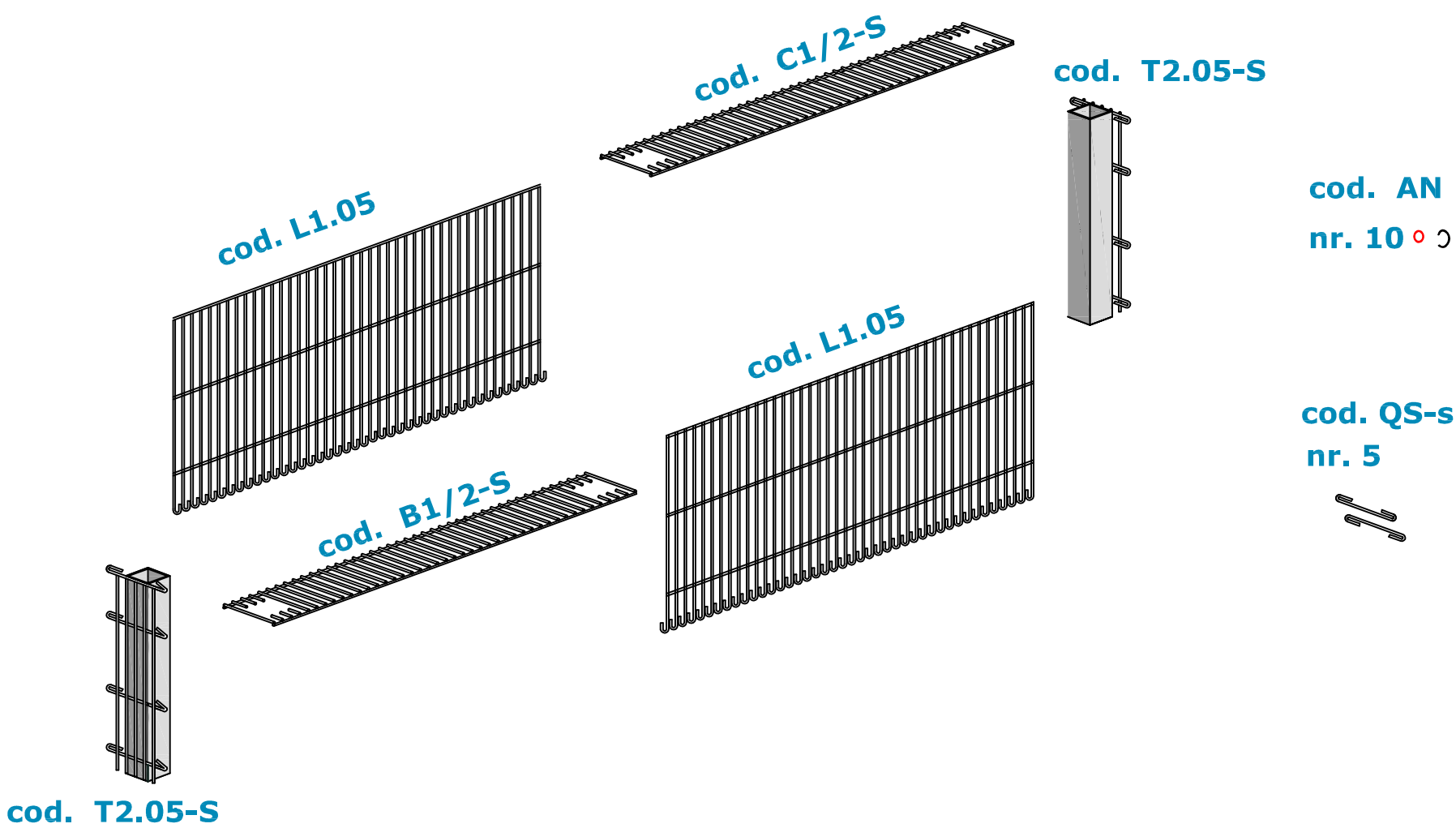
PATENTED

HEIGHT VERSION 50 cm

# GJM-S 1.05.2

100 x 15 x 50 cm

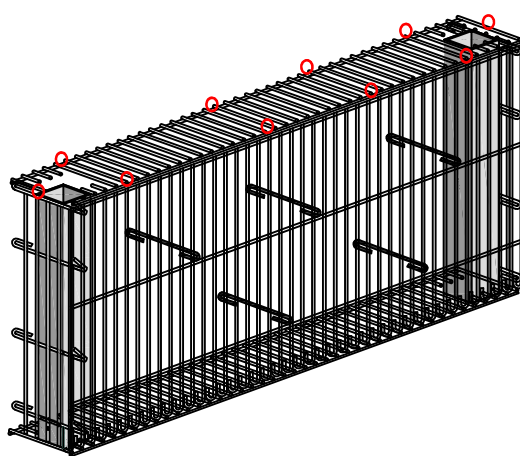
INVENTORY OF COMPONENTS



## SUMMARY :

cod. L1.05	nr. 2
cod. B1/2s	nr. 1
cod. C1/2s	nr. 1
cod. T2.05s	nr. 2
cod. QS s	nr. 8
cod. AN	nr. 10

EMPTY WEIGHT  
Kg. 19



PATENTED

rev. 2021

GJM  
STEEL BOX®

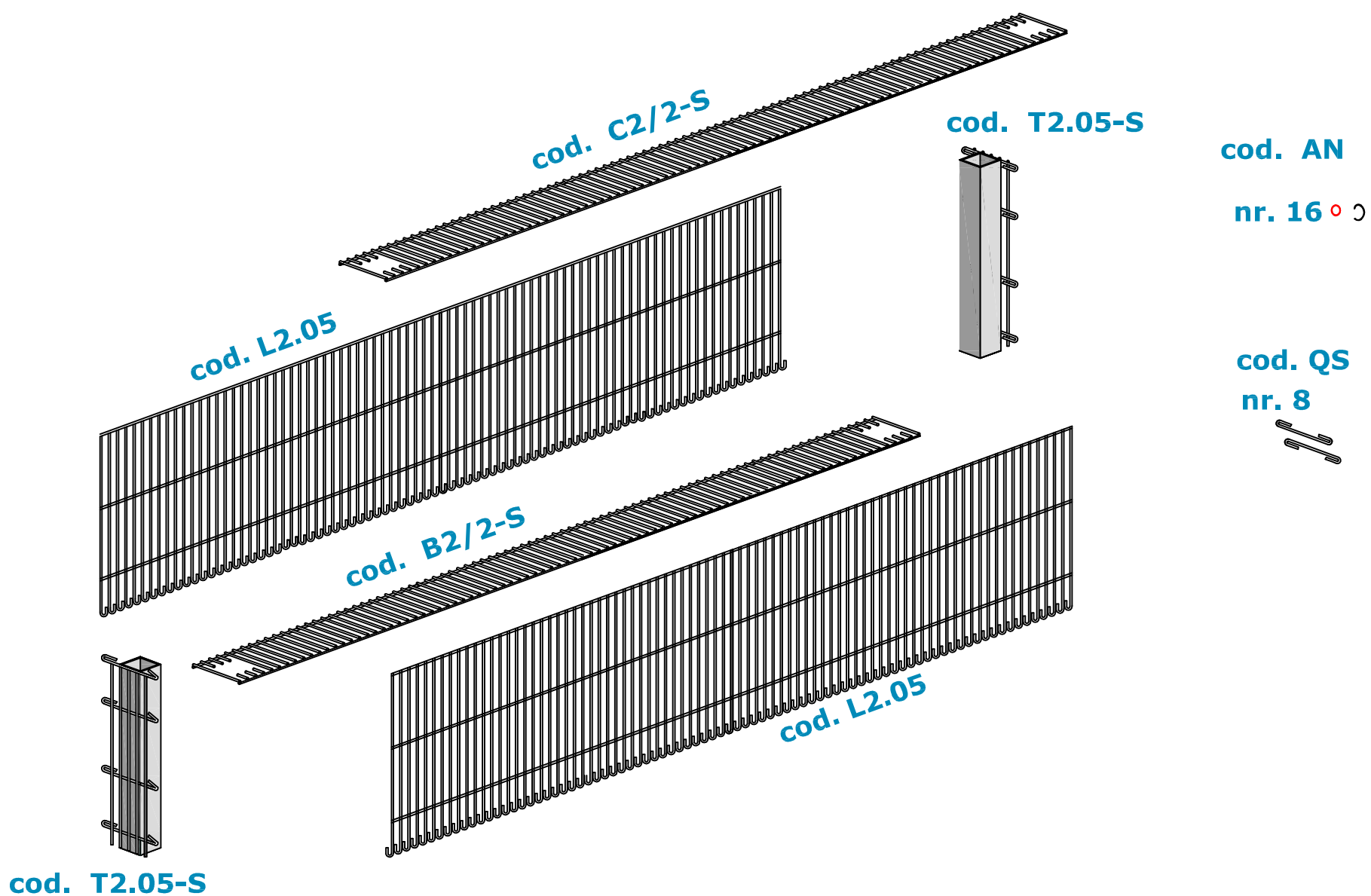
MECCANURGICA  
LEDRENSE  
SOC.COOP.

**HEIGHT VERSION 50 cm**

# GJM-S 2.05.2

**200 x 15 x 50 cm**

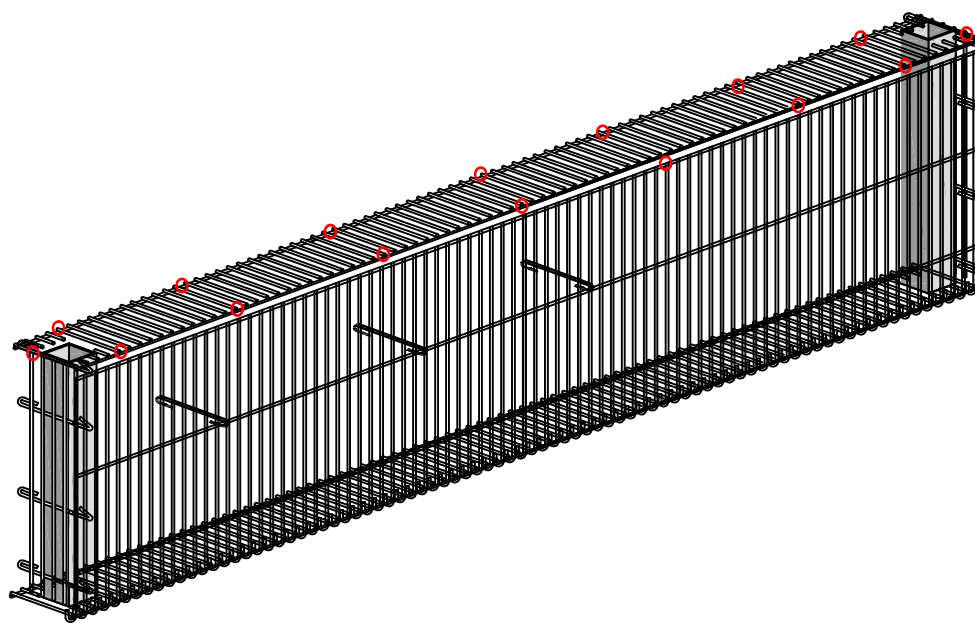
**INVENTORY OF COMPONENTS**



**SUMMARY :**

cod. L2.05	nr. 2
cod. B2/2s	nr. 1
cod. C2/2s	nr. 1
cod. T2.05s	nr. 2
cod. QS s	nr. 8
cod. AN	nr. 16

**EMPTY WEIGHT**  
**Kg. 40**



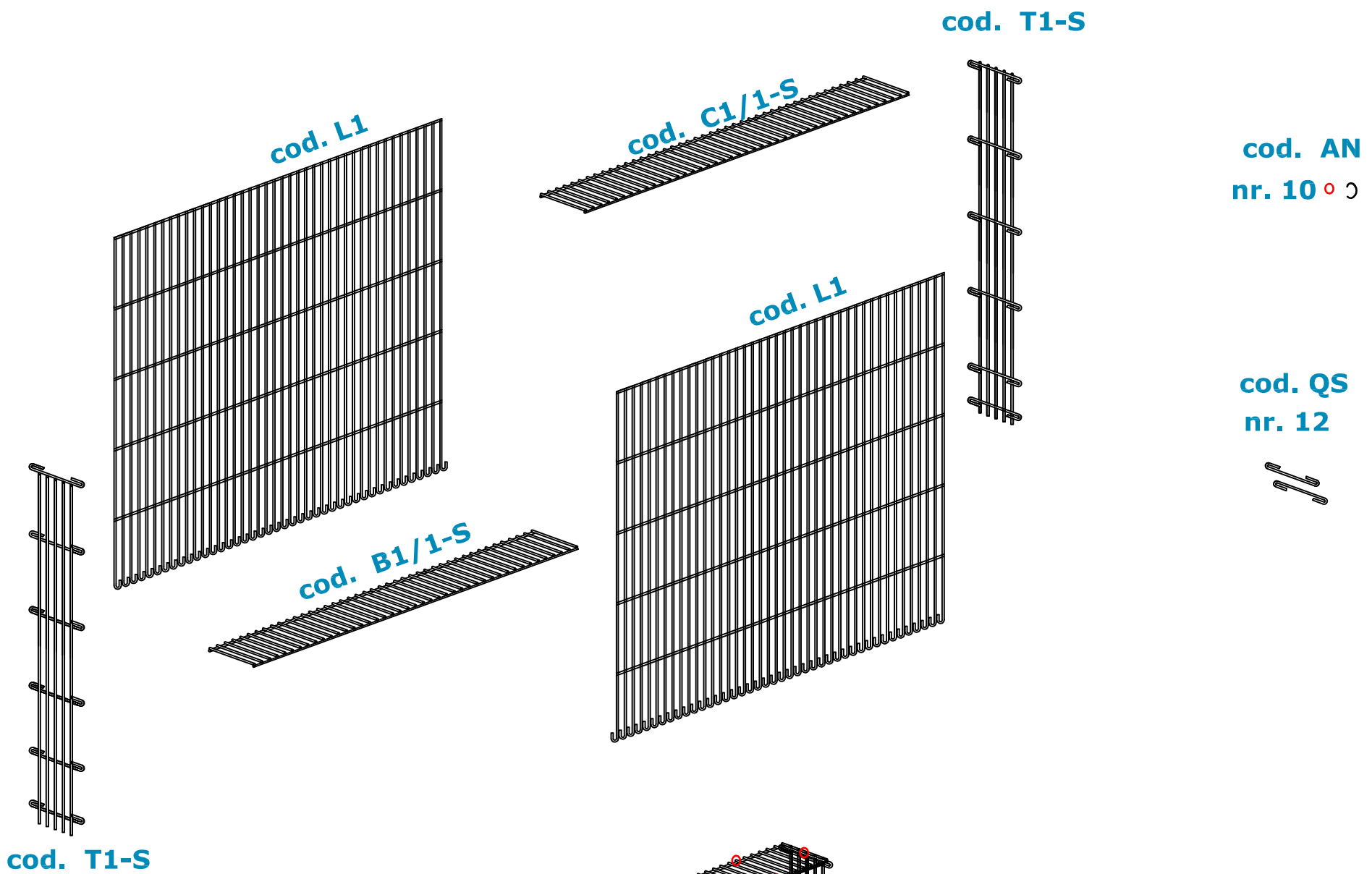
**PATENTED**

**HEIGHT VERSION 100 cm**

# GJM-S 1.1

**100 x 15 x 100 cm**

**INVENTORY OF COMPONENTS**

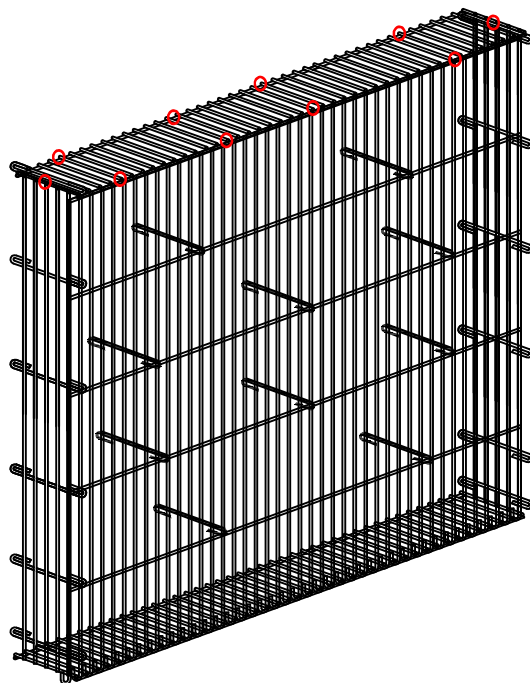


cod. T1-S

**SUMMARY:**

cod. L1	nr. 2
cod. B1/1s	nr. 1
cod. C1/1s	nr. 1
cod. T1-s	nr. 2
cod. QSs	nr. 12
cod. AN	nr. 10

**EMPTY WEIGHT**  
**Kg. 31,50**



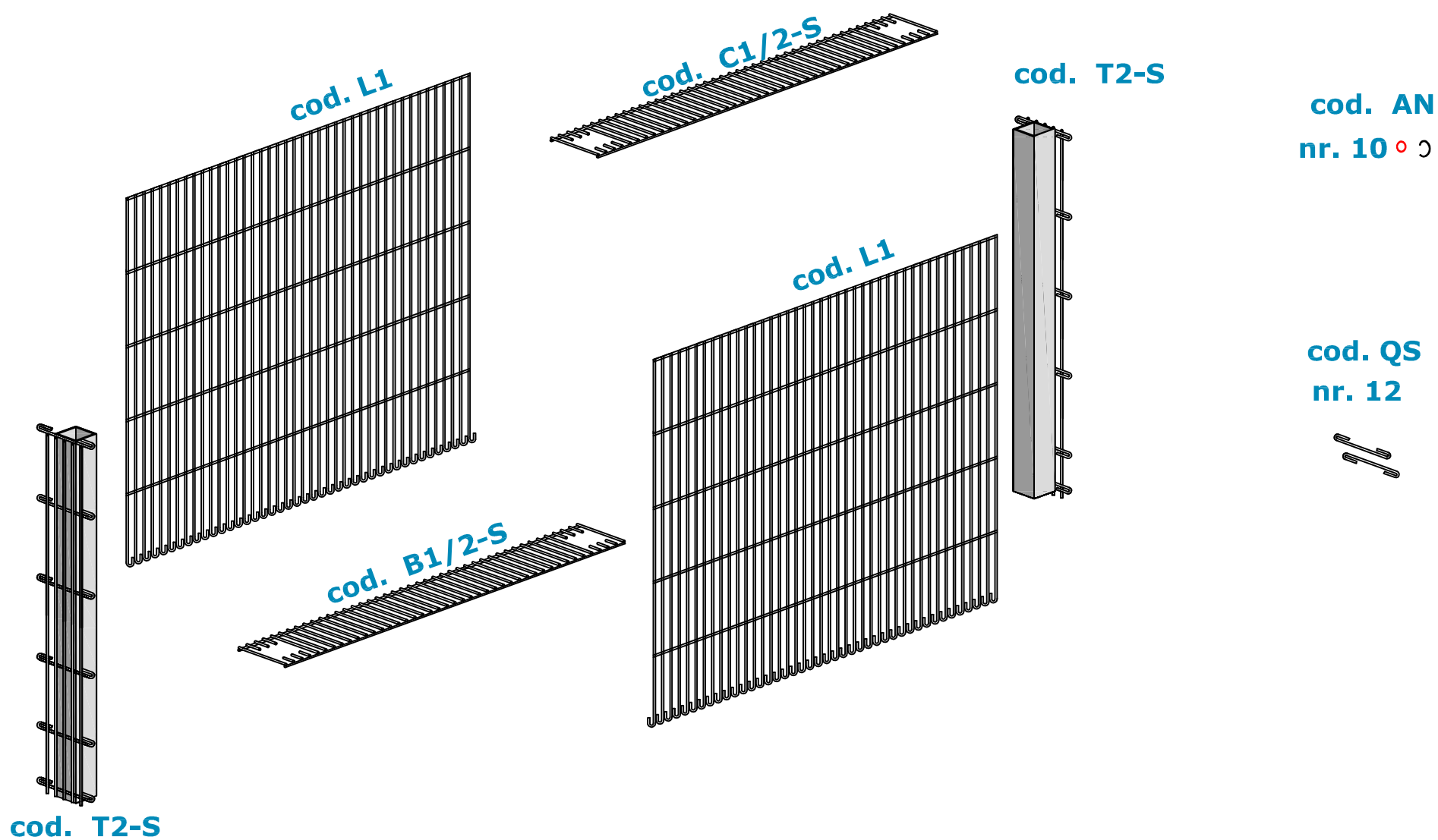
**PATENTED**

HEIGHT VERSION 100 cm

# GJM-S 1.2

100 x 15 x 100 cm

INVENTORY OF COMPONENTS

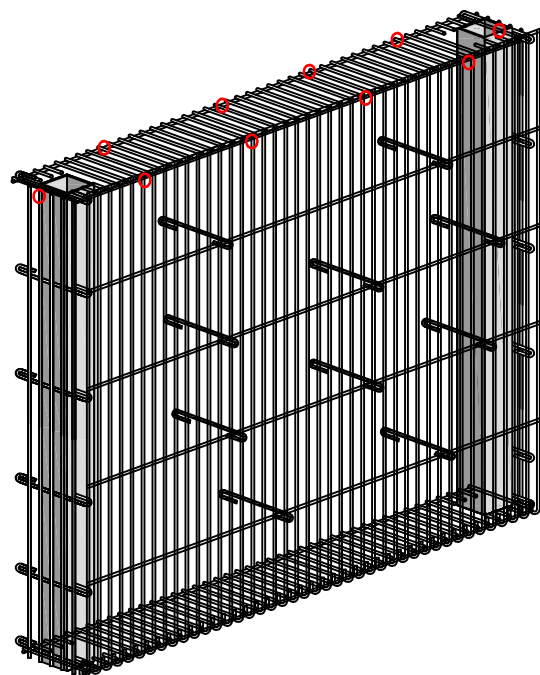


cod. T2-S

**SUMMARY:**

cod. L1	nr. 2
cod. B1/2s	nr. 1
cod. C1/2s	nr. 1
cod. T2-s	nr. 2
cod. QSs	nr. 12
cod. AN	nr. 10

**EMPTY WEIGHT**  
Kg. 40



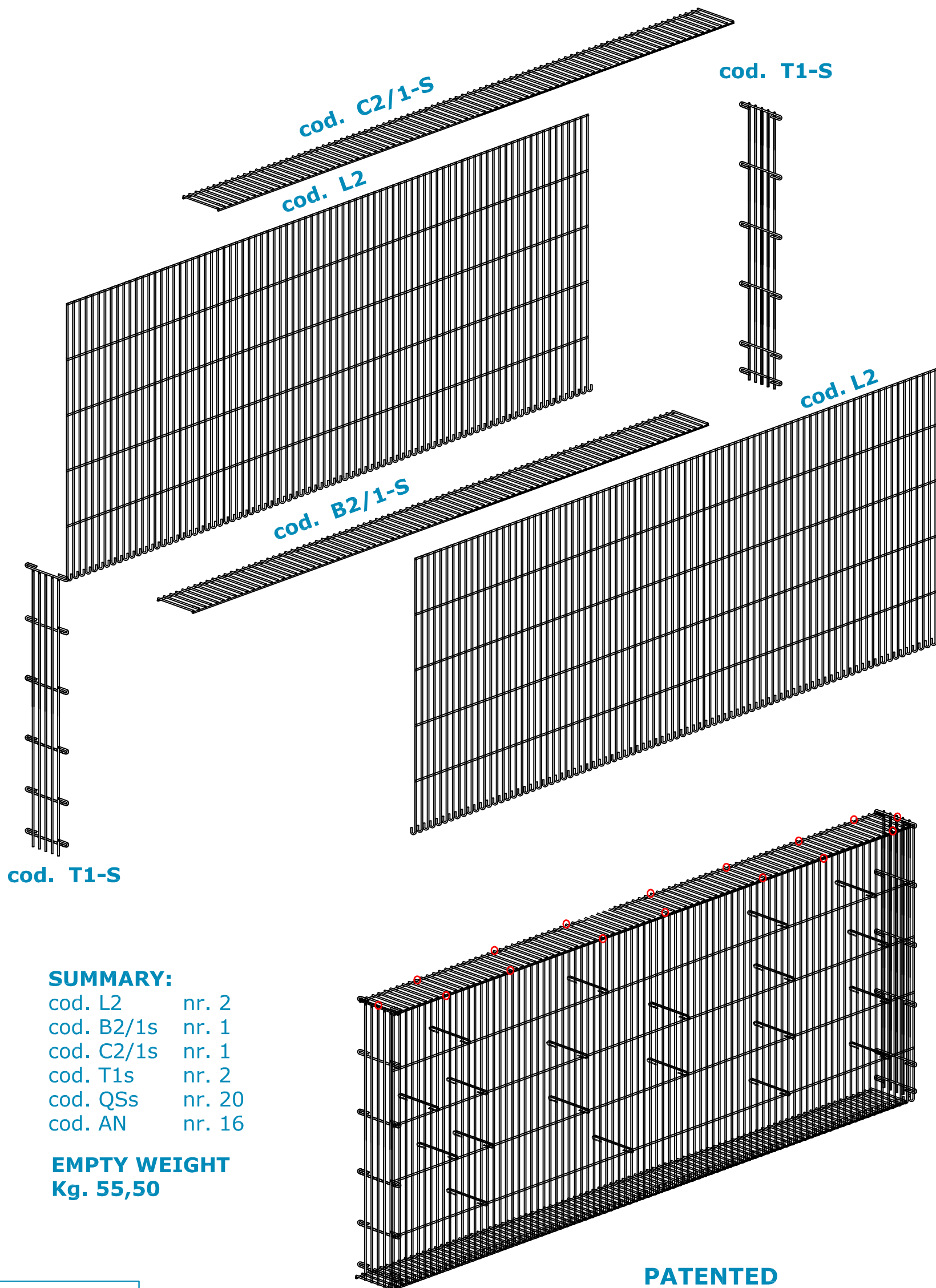
PATENTED

**HEIGHT VERSION 100 cm**

# GJM-S 2.1

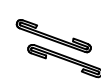
**200 x 15 x 100 cm**

## INVENTORY OF COMPONENTS



cod. AN  
nr. 16

cod. QS  
nr. 20



**SUMMARY:**

- cod. L2 nr. 2
- cod. B2/1s nr. 1
- cod. C2/1s nr. 1
- cod. T1s nr. 2
- cod. QSs nr. 20
- cod. AN nr. 16

**EMPTY WEIGHT**  
**Kg. 55,50**

**PATENTED**

rev. 2021

**SLIM**  
**STEEL BOX®**



**MECCANURGICA**  
**LEDRENSE**

SOC.COOP.

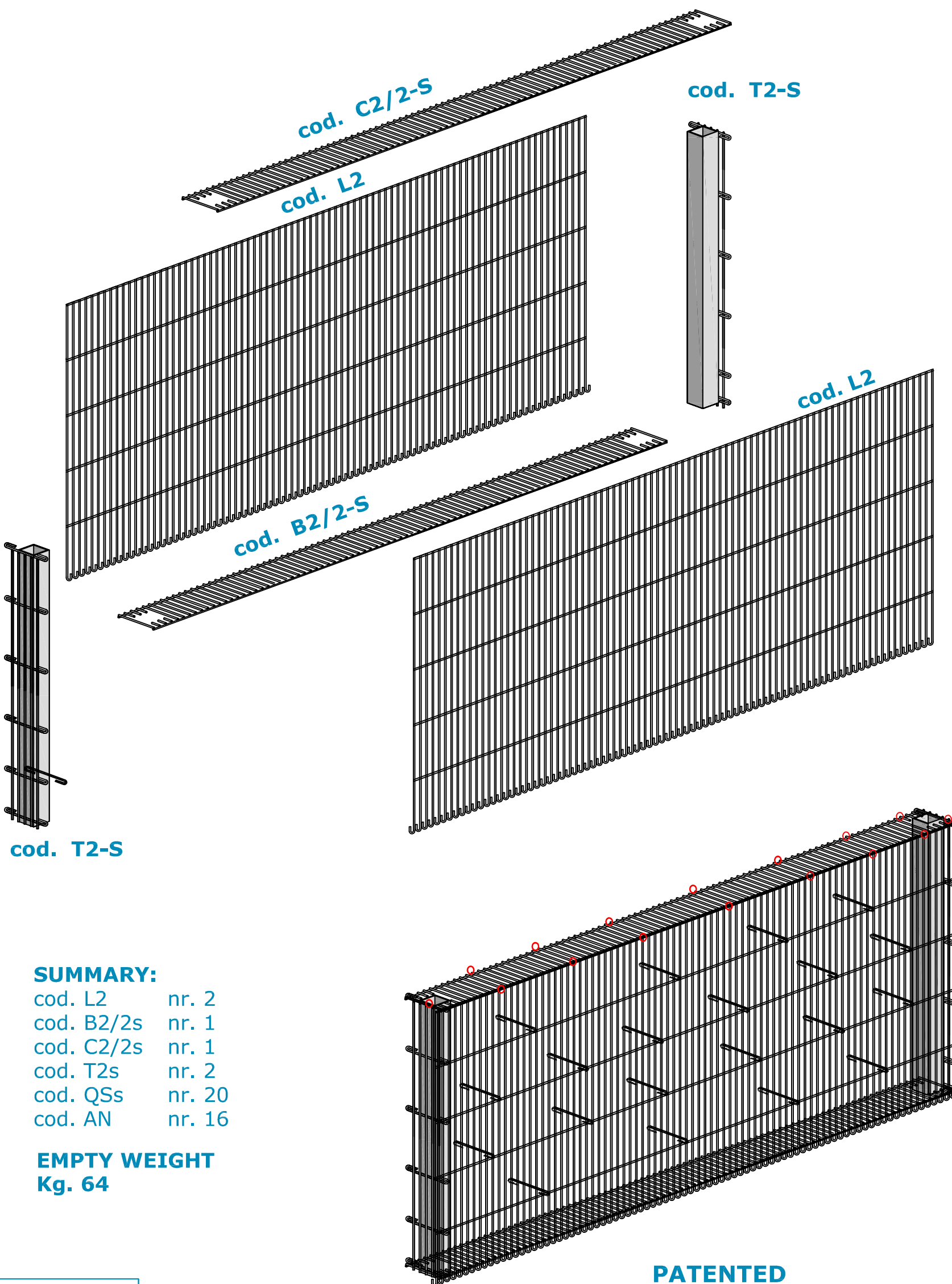


HEIGHT VERSION 100 cm

# GJM-S 2.2

200 x 15 x 100 cm

INVENTORY OF COMPONENTS



cod. AN  
nr. 16

cod. QS  
nr. 20

**SUMMARY:**

- cod. L2 nr. 2
- cod. B2/2s nr. 1
- cod. C2/2s nr. 1
- cod. T2s nr. 2
- cod. QSs nr. 20
- cod. AN nr. 16

**EMPTY WEIGHT**  
Kg. 64

PATENTED

GJM-SLIM  
STEEL BOX®

MECCANURGICA  
LEDRINSE  
SOC.COOP.