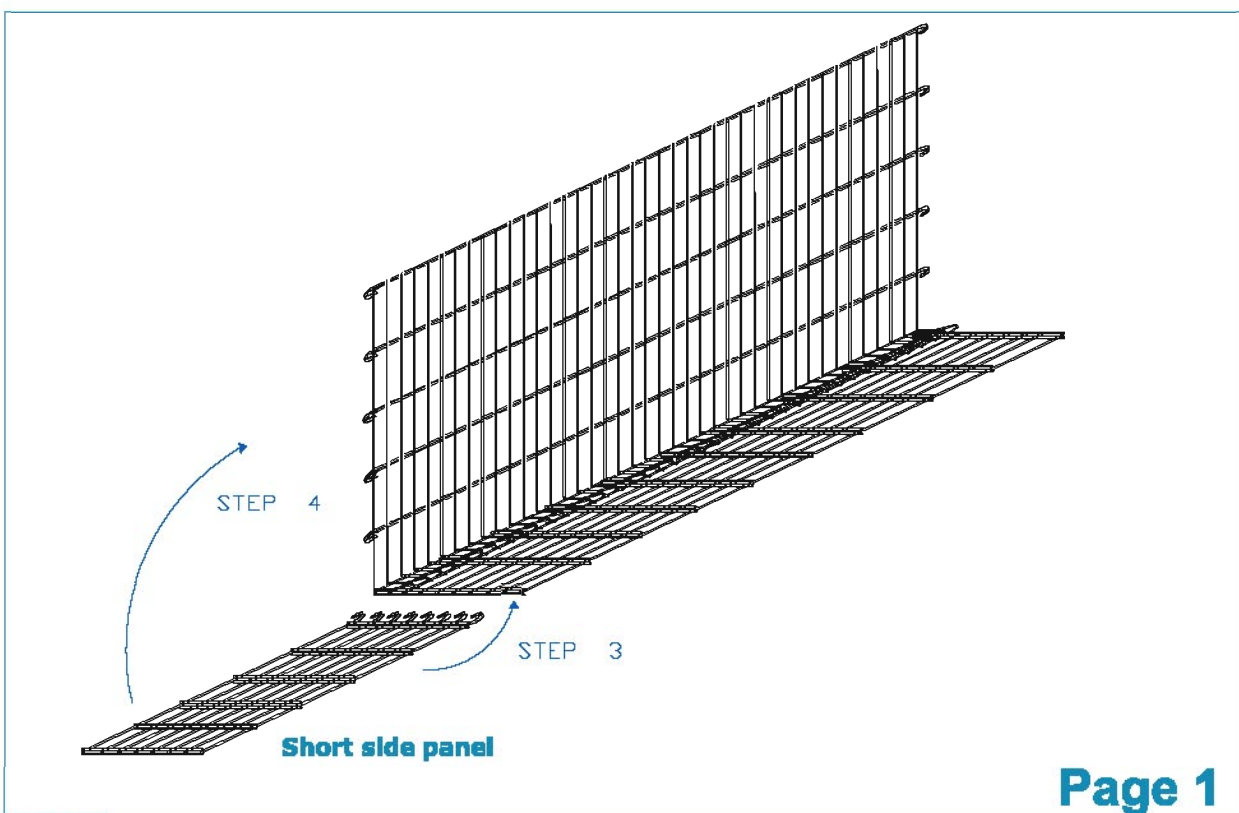
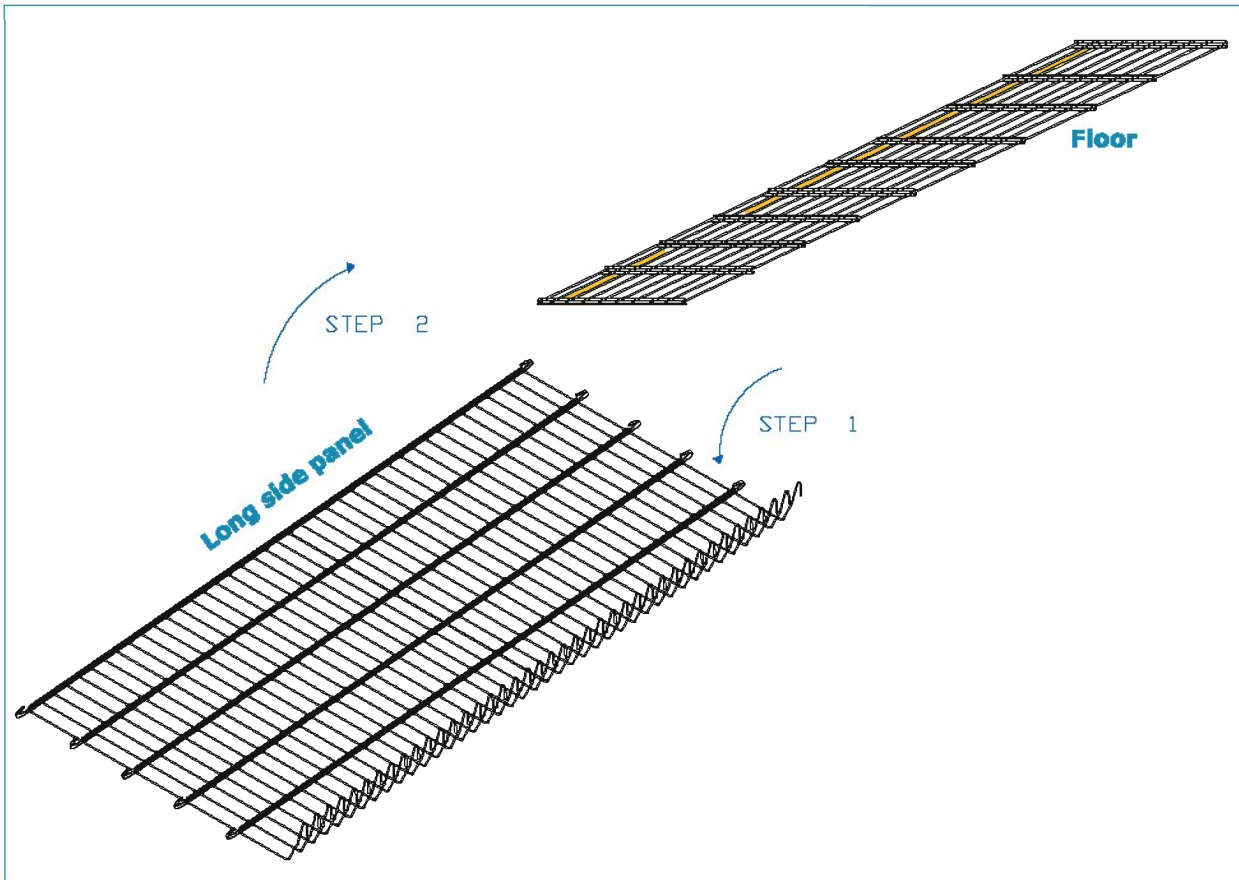




GABION 200 x 50 x 100 cm.

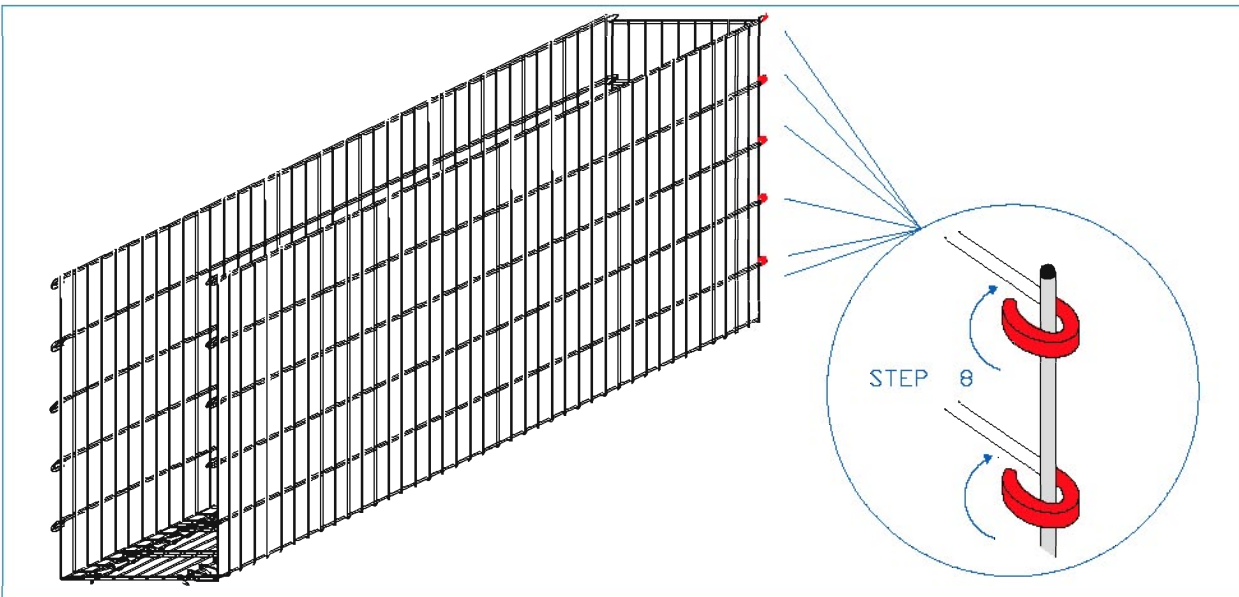
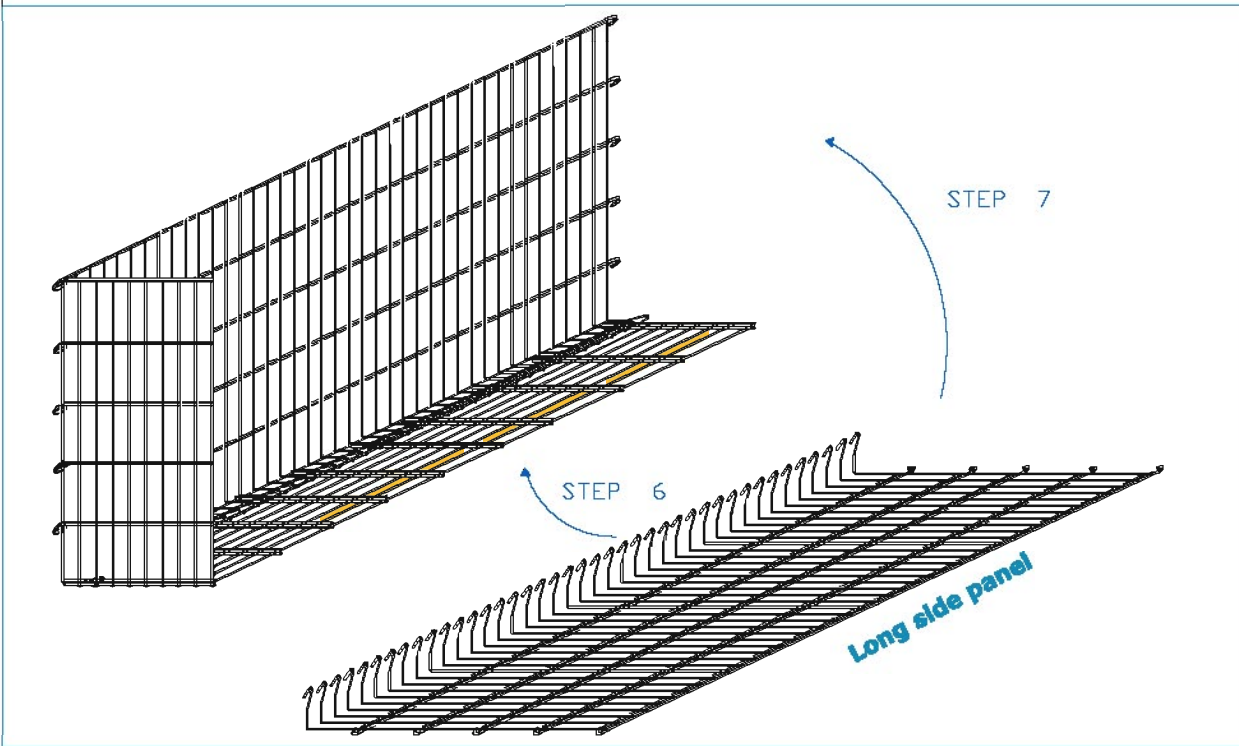
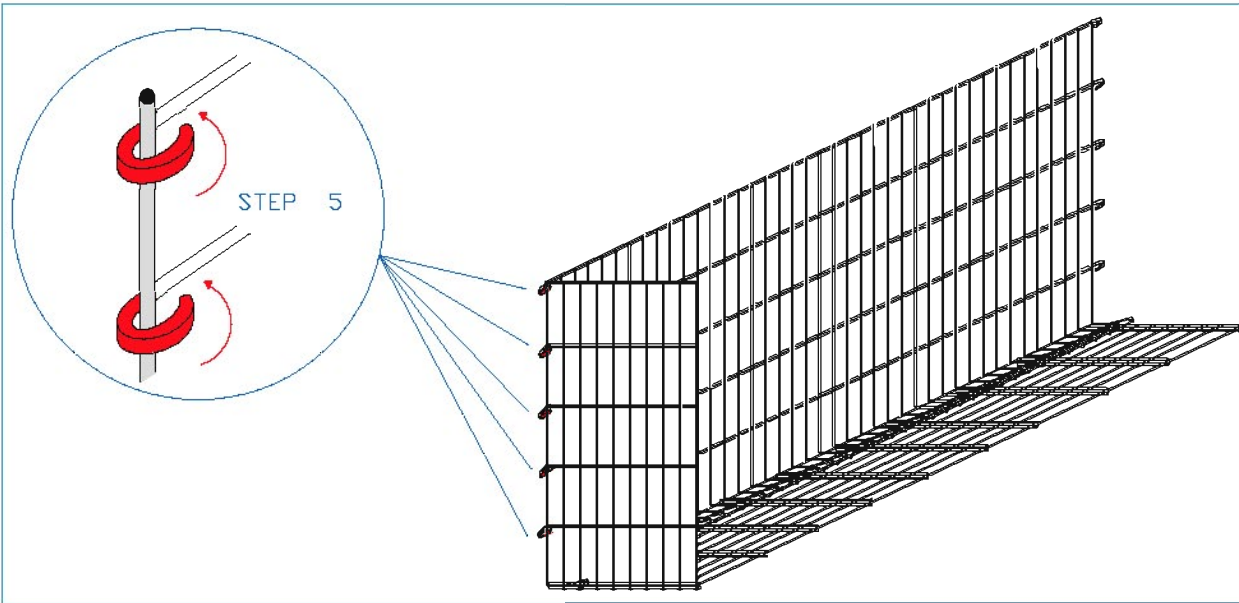
wire diameter 6 mm - mesh 200 x 50 mm

ASSEMBLY INSTRUCTIONS



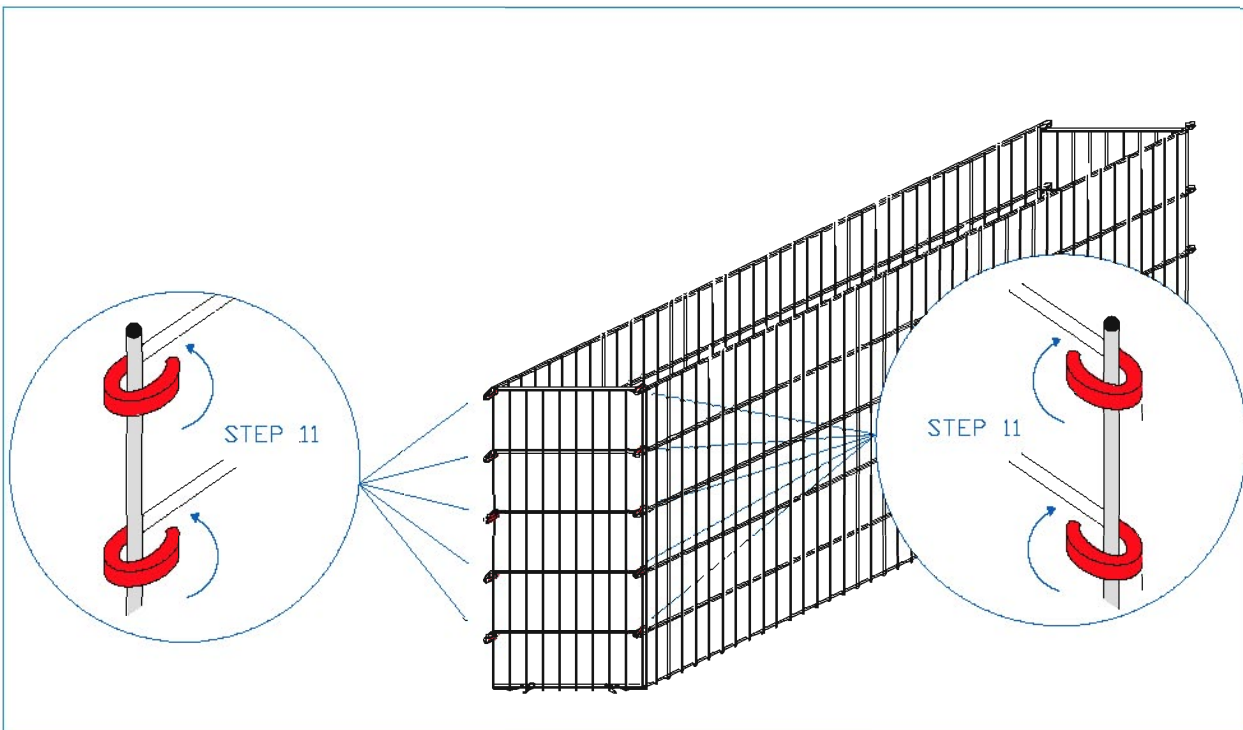
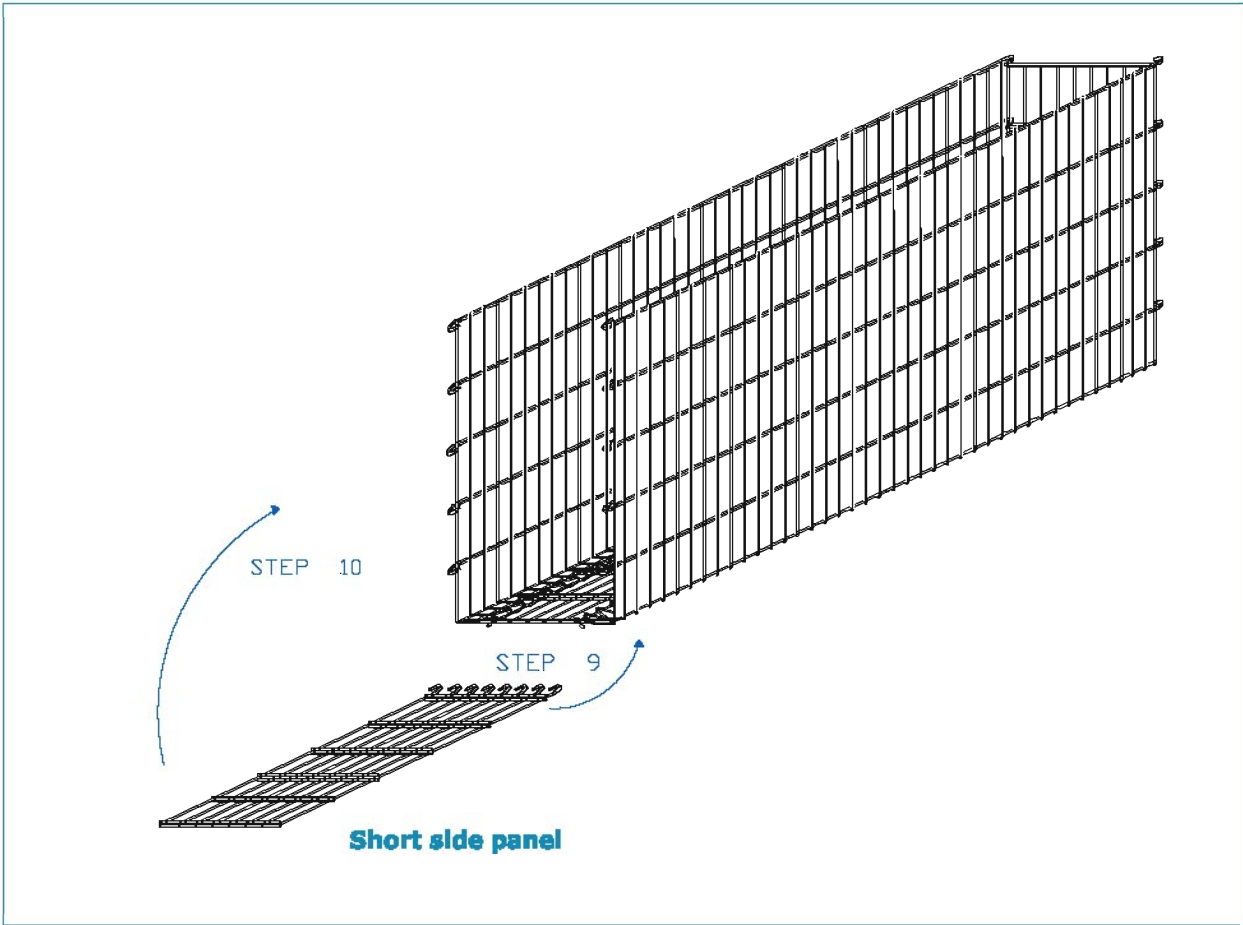
SISTEMA
ANTI-EROSIONE





SISTEMA ANTI-ESONDAZIONE



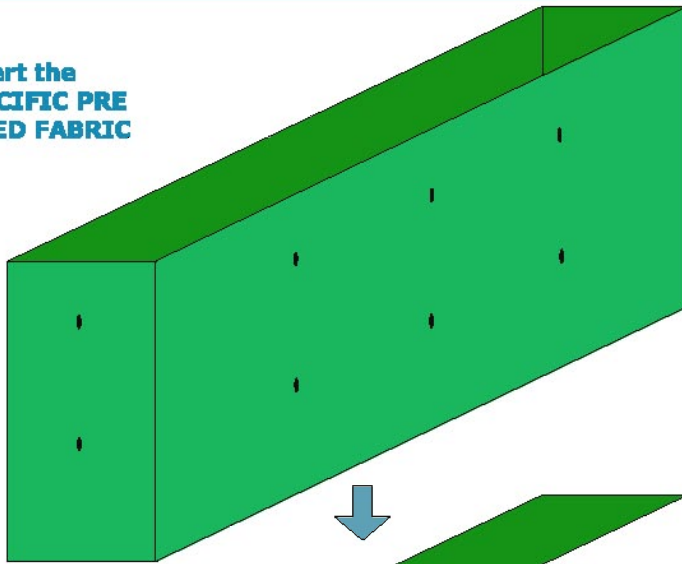


SISTEMA ANTI-ESONDAZIONE

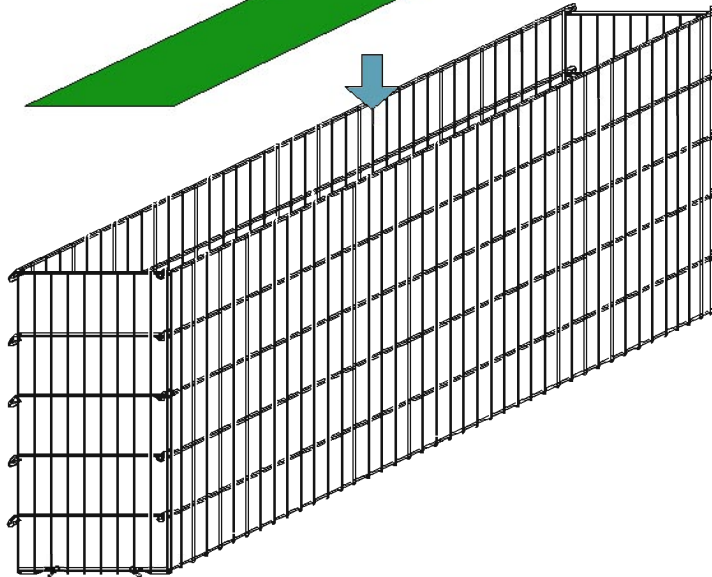




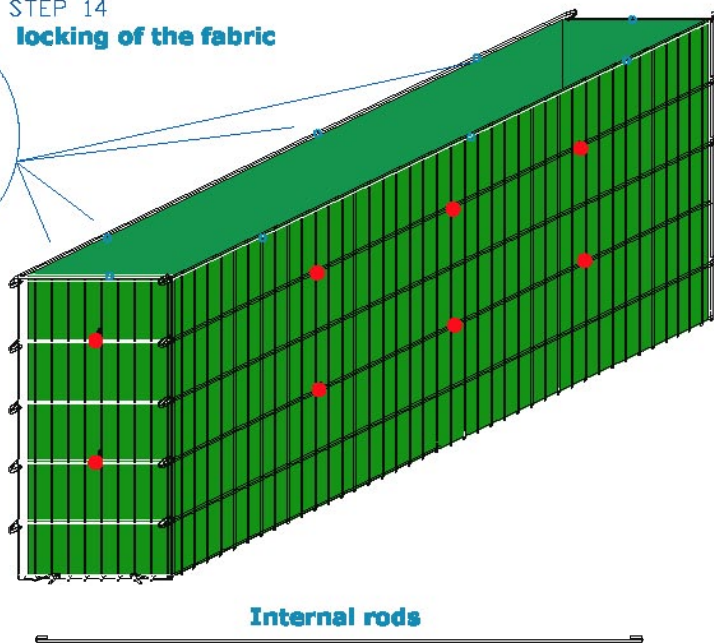
STEP 13
**Insert the
SPECIFIC PRE
SIZED FABRIC**



STEP 12
**Insert the FLOORING
(*) if needed**



STEP 14
locking of the fabric



Internal rods

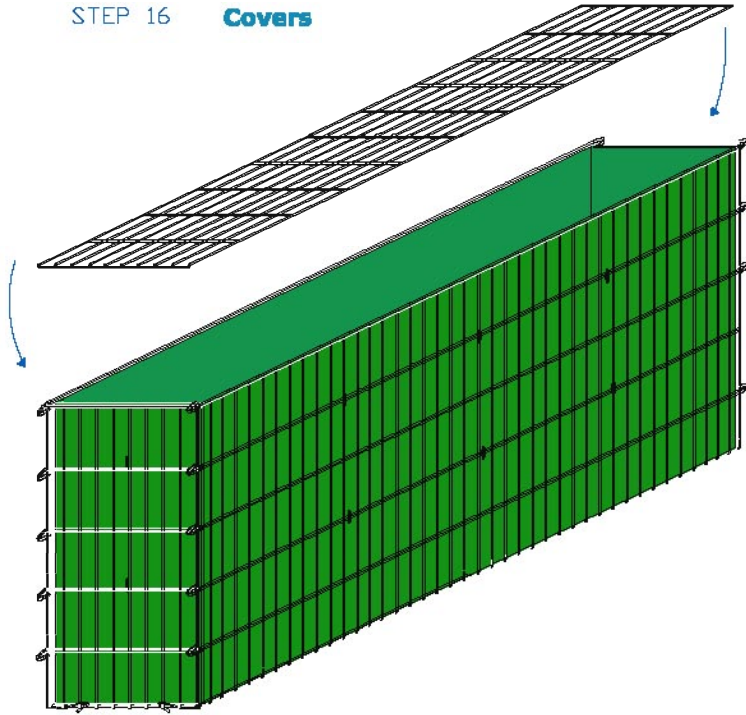
STEP 15

SISTEMA
ANTI-RISONDAZIONE

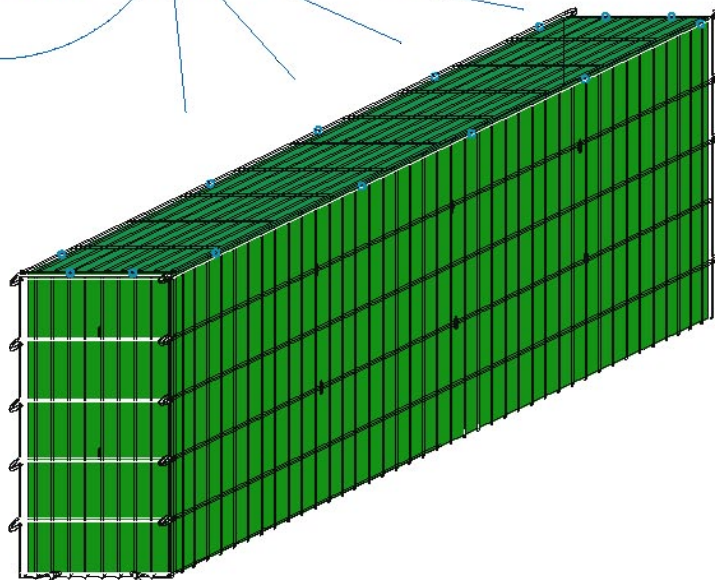
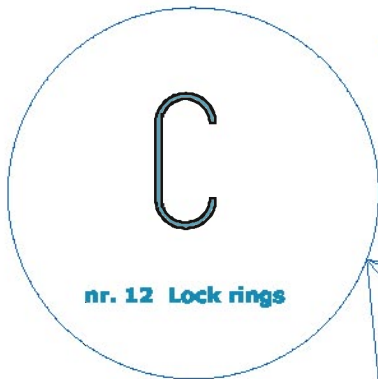




STEP 16 **Covers**



STEP 17



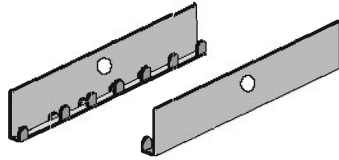
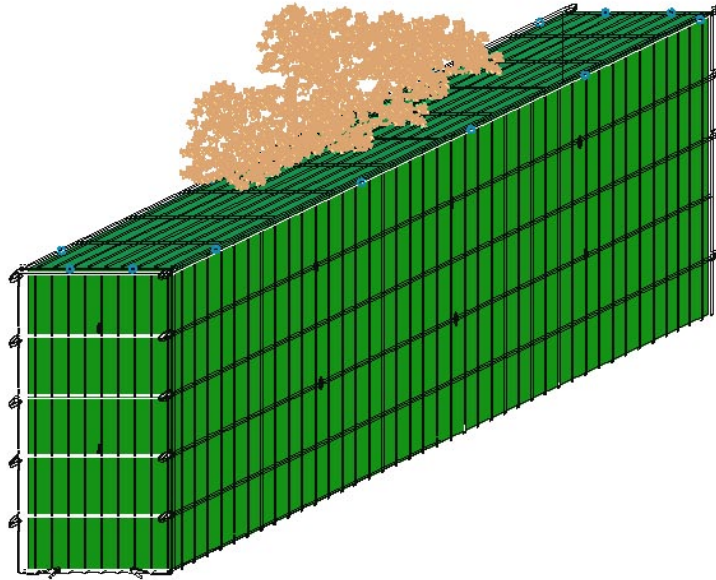
SISTEMA
ANTI-ESONDIZIONE



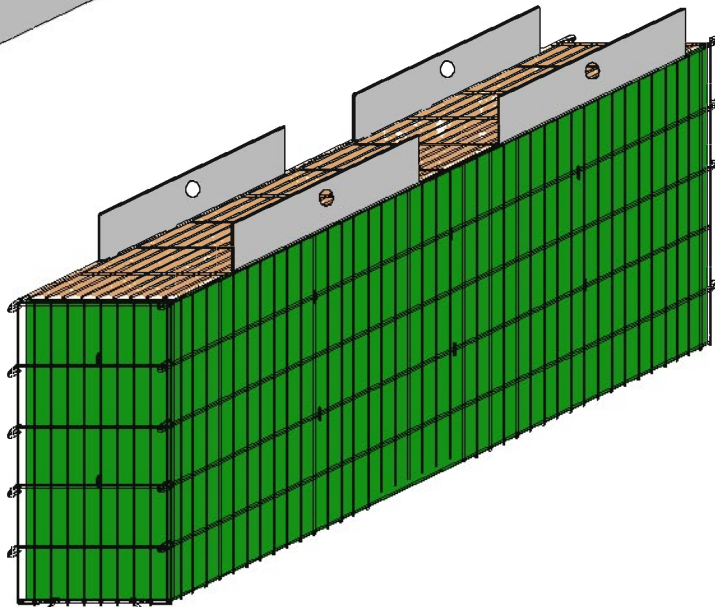


STEP 18

FILLING WITH SAND or THIN GRIT



HANDLING WITH LIFTING COMBS



SISTEMA
ANTI-ESONDAZIONE

